



## SMART MEETINGS AT ATLANTIC HOTEL UNIVERSUM

ATLANTIC Hotel Universum  
Wiener Straße 4 · 28359 Bremen  
Tel. +49 (0)421 24 67-0  
Fax +49 (0)421 24 67-500  
universum@atlantic-hotels.de

Events Team  
Tel. +49 (0)421 24 67-553  
veranstaltung.ahu@atlantic-hotels.de

## AN EVENT LOCATION WITH PLENTY OF OPTIONS

The “UNIVERSUM Complex” with hotel, conference options and Universum® Bremen provides the complete package for your event: accommodation, conferences and accompanying programme all in one:

- Our Conference Center: premium options for meetings, conferences or workshops through to general meetings or car exhibitions.
- The conference centre's expansive foyer is the perfect location for dining as well as an exhibition area with a fantastic view of the Universum® Bremen
- 8 wheelchair-accessible conference and function rooms, some of which can be accessed by car, with ceiling heights of up to 5 metres for events in the plenum with up to 400 people convey a sense of spaciousness and transparency – as do the floor-to-ceiling windows and their unique views.
- We provide technology, from projectors through to fibre-optic cabling in the large room. We can also provide a connection to the Bremen broadband network. ADSL and WLAN internet access is available in all conference rooms.
- 50 external parking spaces and 20 garage spaces as well as additional extensive parking areas on the adjoining university premises are available.
- The neighbouring Universum® Bremen offers a unique type of accompanying programme: it can host company events, incentives and celebrations for up to 700 people – professionally and gastronomically supported by us and our CAMPUS restaurant.

### Our offer at a glance

Are you looking for a suitable coffee break or are you after an accompanying programme for the evening? Our conference folder provides detailed information on all your queries.

- Conference packages
- Technology
- Conference menus
- Conference buffets
- Beverages
- Room capacities
- Accompanying programmes
- Preferred partners
- Contacts

Still need more? Our Event Sales Team is happy to discuss your personal needs and prepare your very own event outline!

## CONFERENCE PACKAGES

As an alternative to billing for each individual catering service we also give you the option of choosing a fixed conference package that allows you to easily stick to your budget. On request, we offer an individual conference package according to your requirements.

Our ATLANTIC Breaks include sweet and savoury coffee break snacks that change every day and provide something for every taste. You'll be pleasantly surprised.

*All prices indicated include applicable VAT and start from 10 attendees.*

### **BUSINESS conference package**

- Standard technology in the function room (projector screen, projector, 1 flipchart, 1 pin board)
- Pads and pens
- Unlimited cold drinks in the function room throughout the day
- ATLANTIC Break mid-morning with filter coffee, a selection of ALTHAUS tea specialities and an alternating selection of treats as recommended by the chef
- Lunch (lunch buffet or 2-course meal as recommended by the chef with a selection of 3 main courses – depending on the number of people)
- ATLANTIC Break in the afternoon with filter coffee, a selection of ALTHAUS tea specialities and an alternating selection of treats as recommended by the chef

€ 69.00 per person

### **BUSINESS PLUS conference package**

- Standard technology in the function room (projector screen, projector, 1 flipchart, 1 pin board)
- Pads and pens
- Unlimited cold drinks in the function room throughout the day
- ATLANTIC Break mid-morning with filter coffee, a selection of ALTHAUS tea specialities and an alternating selection of treats as recommended by the chef
- Lunch (lunch buffet or 2-course meal as recommended by the chef with a selection of 3 main courses – depending on the number of people)
- Mineral water and apple juice with lunch
- ATLANTIC Break in the afternoon with filter coffee, a selection of ALTHAUS tea specialities and an alternating selection of treats as recommended by the chef

€ 72.50 per person

### **BASIC half-day package**

- Standard technology in the function room (projector screen, projector, 1 flipchart, 1 pin board)
- Pads and pens
- Unlimited cold drinks in the function room
- ATLANTIC Break either mid-morning *or* in the afternoon with filter coffee, a selection of ALTHAUS tea specialities and an alternating selection of treats as recommended by the chef
- Lunch (lunch buffet or 2-course meal as recommended by the chef with a selection of 3 main courses – depending on the number of people)

€ 54.00 per person (up to 5 hours)

You would also like to enjoy a dinner together in our CAMPUS restaurant?  
Simply book this in addition!

Dinner as a buffet oder 3-course meal as recommended by the chef  
with a selection of 3 main courses – depending on the number of people

€ 28.00 per person (when booking a conference package)

€ 30.00 per person (without conference package)

## CONFERENCE TECHNOLOGY

The standard technology in the plenum (projector, projector screen, 1 flipchart, 1 pin board) is already included in the conference packages. Whether you need an interpreter's booth or videoconferencing technology – everything is possible: we work together with renowned technology companies!

### Highspeed internet

- for speakers and contact partners free
- for overnight guests free

### Separate network

on request

### Phone connection

- Set-up € 35.00 per item/day
- Usage € 0.30 per unit

### Projector 2,500 ANSI lumens

€ 95.00 per item/day

### Projector screen (installed in the room)

rent-free

### Flip chart incl. 20 sheets and 4 pens

€ 20.00 per item/day

### Flip chart paper

€ 1.00 per sheet

### Photocopies

€ 0.25 per copy  
€ 0.15 over 100 copies

### Facilitator's toolbox

€ 30.00 per item/day

### Pin board

€ 15.00 per item/day

### Lectern

€ 80.00 per item/day

### P.A. system incl. a microphone

€ 120.00 per day

### Additional microphones:

- wired hand-held microphone € 80.00 per item/day
- wireless hand-held microphone € 80.00 per item/day
- clip microphone € 80.00 per item/day

### Dance floor (25 sqm)

€ 250.00 per day

*The prices indicated all include applicable VAT.*

**Note:** Please note that only a limited amount of equipment is available in the hotel so please order this well in advance to ensure everything runs smoothly. If necessary, the technology will be provided by our technology partners.

## CONFERENCE MENUS

Our conference packages already include lunch for your conference participants. Stay for dinner and select an individual menu from our suggestions. Vegetarians will of course be considered separately.

### Starters

Mixed leaf salad with balsamic vinaigrette,  
smoked breast of duck and apricot chutney  
€ 11.00

Marinated leaf salad with guinea fowl breast satay sticks,  
lemongrass and soy, honey and sesame sauce  
€ 12.00

Antipasti plate with marinated vegetables,  
mozzarella balls and cherry tomatoes  
€ 9.00

### Soups

Carrot and ginger soup  
€ 6.00

Tomato soup  
€ 6.00

Bremen "Wedding Soup"  
(chicken broth with vegetables, meatballs and dumplings)  
€ 6.00

Lemongrass and coconut soup  
€ 7.00

### Vegetarian

Stuffed oven-baked tomatoes au gratin  
with vegetable couscous and home-made chutney  
€ 12.00

Tagliatelle with a ragout of wild mushrooms,  
rocket and grated grana padano  
€ 14.00

**Main courses**

**Médailles of pork fillet wrapped in serrano ham**  
with courgette vegetables and roast potatoes  
€ 20.00

**Beef fillet steak with port wine sauce,**  
mixed vegetables and Mediterranean baked potatoes  
€ 32.00

**Roasted corn-fed chicken breast with herb jus,**  
mashed potatoes and pepper and onion vegetables  
€ 19.00

**Pan-fried salmon fillet with saffron and lime sauce,**  
sugar snaps and tomato vegetables and basmati rice  
€ 23.00

**Crispy pan-fried zander**  
with home-made mango and chilli chutney,  
carrot and leek vegetables and chilli gnocchi  
€ 22.00

**Desserts**

Panna Cotta with raspberry puree  
€ 7.00

Duet of white and dark mousse au chocolat  
with mango compote  
€ 8.00

Mascarpone quark cream in a glass  
with curried mango ragout  
€ 7.00

*The prices for the menu is calculated of the individual prices.  
The prices indicated all include applicable VAT.*

*Status: 1 April 2022. Prices are subject to change.*

## CONFERENCE BUFFETS

A buffet is available as an alternative to a set meal for groups starting from 25 people. We provide a wide range of starters, main courses and desserts that are certain to impress all your guests:

### **Buffet Italia (example)**

Medium roasted slices of prime boiles veal  
on tuna sauce with caper berries

Antipasti variation with marinated vegetables,  
olives and pepperoni

Tomato with mozzarella on home-made pesto and rocket

Mediterranean pasta salad with sheep's cheese

Salad of sundried tomatoes and white beans  
with fresh herbs and red onions

Oven-fresh ciabatta and baguettes

\* \* \*

Minestrone with parmesan and croutons

\* \* \*

Saltimbocca of chicken breast with herb jus  
on colourful courgette vegetables and small baked potatoes

Goatfish fillets with olive sauce  
on ratatouille vegetables with basmati rice

Vegetarian lasagne with basil, vegetables and artichokes

\* \* \*

Tiramisu with fruit

Amarettini mousse with apricot sauce

Panna cotta with raspberry purée

**€ 44.00 per person**

*We also can create a buffet according to your wishes. Please contact us!*

*Status: 1 April 2022. Prices are subject to change.*



## BEVERAGES

An individual selection of beverages perfect for every occasion. Choose from a range of non-alcoholic and alcoholic drinks or browse through our World of Wine. We will naturally adapt our offer to your wishes!

### Aperitif

<b>Elderberry Sprizz</b> <i>Elderberry syrup, fresh mint, lime, ATLANTIC Sparkling wine, soda</i>	0.2 l	€ 8.50
<b>Aperol Sprizz</b> <i>Aperol, ATLANTIC Sparkling wine, soda, orange</i>	0.2 l	€ 8.50
<b>Campus Aperitivo</b> <i>Bombay Gin, lime juice, elderberry syrup, Schweppes tonic water</i>	0.2 l	€ 8.50
<b>Ramazotti Rosato Duo</b> <i>Aperitivo Rosato, Schweppes tonic water, Lime</i>	0.2 l	€ 8.50
<b>Sandemann Sherry</b> <i>Dry, medium, cream</i>	5 cl	€ 5.00
<b>Delaforce Portwein</b> <i>Fine white port, Fine ruby</i>	5 cl	€ 5.20
<b>Lillet</b> <i>Blanc, Rouge, rosé</i>	5 cl	€ 5.50
<b>Martini</b> <i>Bianco, rosso, d'oro, extra dry</i>	5 cl	€ 5.20
<b>Campari</b> <i>- with orange juice or soda</i>	0.2 l	€ 7.50
<i>- with ATLANTIC Sparkling wine</i>	0.2 l	€ 9.50

### Sparkling wine / Prosecco

<b>ATLANTIC Sparkling wine extra dry</b>	0.1 l	€ 5.20
	0.75 l	€ 31.50
<b>Ragazzo Prosecco frizzante DOC</b>	0.1 l	€ 4.50
	0.75 l	€ 27.50

### Beers on draught

<b>Beck's Pils</b>	0.3 l	€ 3.50
	0.5 l	€ 5.20
<b>Alster (beer and lemonade)</b>	0.3 l	€ 3.50
	0.5 l	€ 5.20
<b>Haake Beck Kräusen</b>	0.3 l	€ 3.50
	0.5 l	€ 5.20
<b>Franziskaner wheat beer</b>	0.3 l	€ 3.50
	0.5 l	€ 5.20

**Bottled beers**

Beck's Pils, Beck's non-alcoholic	0.33 l	€ 3.80
Franziskaner Hefeweizen dark, crystal, non-alcoholic	0.33 l	€ 3.80
	0.5 l	€ 5.50
Vita Malz non-alcoholic	0.33 l	€ 3.50

**Non-alcoholic drinks**

Magnus Imperial mineral water	0.25 l	€ 3.20
fine sparkling or plain	0.75 l	€ 7.20
Coca Cola	0.2 l	€ 3.50
Coca Cola light, zero	0.2 l	€ 3.50
Sprite, Fanta, Mezzo Mix	0.2 l	€ 3.50
Schweppes	0.2 l	€ 3.60
Bitter Lemon, Ginger Ale, Tonic Water, Wildberry		
Thomas Henry Tonic Water	0.2 l	€ 3.80
Fevertree Tonic Water	0.2 l	€ 3.80
Niehoff's Vaihinger juices		
- Apple juice	0.2 l	€ 3.50
- Orange juice	0.2 l	€ 3.50
- Passion fruit nectar	0.2 l	€ 3.50
- Rhubarb nectar	0.2 l	€ 3.50
- Grape juice	0.2 l	€ 3.50
- Cherry nectar	0.2 l	€ 3.50
- Currant nectar	0.2 l	€ 3.50
- Grapefruit juice	0.2 l	€ 3.50
- Banana nectar	0.2 l	€ 3.50
- Tomato juice	0.2 l	€ 3.50
Juice spritzer	0.2 l	€ 3.50
	0.5 l	€ 5.50

**Hot beverages**

Cup of coffee	€ 3.00
Café au lait	€ 3.90
Cappuccino	€ 3.40
Latte Macchiato	€ 3.90
Espresso	€ 2.80
Double Espresso	€ 4.40
Hot chocolate	€ 3.60
Glass of tea	€ 3.50
Hot lemon	€ 2.50

The ATLANTIC Wineworld offers a wide selection of wines from all over the world in all our hotels of the ATLANTIC Group.

In the Wineworld you will find wines by the glass and wines by the bottle.



## White wine

### Germany

Pinot blanc QbA	0.20 l	€ 7.50
Winery Karl Pfaffmann, Palatinate	0.75 l	€ 27.50
„Grohsartig“ QbA	0.20 l	€ 7.50
Winery Groh, Rhinehessen	0.75 l	€ 27.50
Pinot gris BIO QbA	0.20 l	€ 11.00
Winery Wittmann, Rhinehessen	0.75 l	€ 39.00
Riesling BIO QbA	0.20 l	€ 10.50
Winery Wittmann, Rhinehessen	0.75 l	€ 36.00
Pinot blanc QbA	0.75 l	€ 49.00
Winery Friedrich Becker, Palatinate & Alsace		

### Austria

Grüner Veltliner BIO D.A.C	0.20 l	€ 9.50
Winery Loimer, Kamptal	0.75 l	€ 34.00

### Italy

Chardonnay Simboli DOC	0.20 l	€ 8.00
Winery Cantina La Vis, Trentino	0.75 l	€ 28.00
Roero Arneis DOSCG	0.75 l	€ 55.00
Winery Bruno Giacosa, Piedmont		

### France

Sancerre Blanc Le Tournebride Bio, AOC	0.75 l	€ 55.00
Winery Vincent Gaudry, Sancerre		

**South Africa**

Kleine Rust	0.20 l	€ 7.50
Stellenrust Winery, Stellenbosch	0.75 l	€ 27.50

**New Zealand**

Sauvignon Blanc	0.75 l	€ 45.00
Winery Mount Nelson, Marlborough		

**Rosé****France**

Aix Rosé	0.20 l	€ 11.00
Winery Saint Aix, Provence, Aix	0.75 l	€ 39.00

**Red wine****Germany**

Pinot noir QbA	0.20 l	€ 8.50
Winery Karl Pfaffmann, Palatinate	0.75 l	€ 31.00

Ursprung	0.20 l	€ 10.00
Winery Markus Schneider, Palatinate	0.75 l	€ 35.00

Pinot Noir „B“, QbA	0.75 l	€ 48.00
Winery Friedrich Becker, Palatinate & Alsace		

**Italy**

Chianti Colli Senesi Farnetella	0.20 l	€ 11.00
Winery Felsina, Tuscany	0.75 l	€ 39.00

Langhe Nebbiolo Perbacco, DOCG	0.75 l	€ 48.00
Winery Vietti, Piedmont		

**France**

Château Les Rosiers	0.20 l	€ 7.50
Winery Les Rosiers, Bordeaux	0.75 l	€ 27.50

Saint-Émilion Grand Cru	0.75 l	€ 65.00
Winery Château Valade, Bordeaux, Saint-Émilion		

**Spain**

Altos Ibéricos Rioja DOCa	0.20 l	€ 8.00
Winery Miguel Torres, Rioja	0.75 l	€ 28.00
Lindes De Remelluri, DOCa	0.75 l	€ 41.00
Winery Bodegas Remelluri, Rioja Alavesa		

**Australia**

Stickleback Red	0.20 l	€ 8.00
Heartland Wines, Langhorne Creek	0.75 l	€ 28.00
Directors' Cut Shiraz	0.75 l	€ 58.00
Heartland Wines, Langhorne Creek		

**South Africa**

Jan Fiskaal Merlot	0.20 l	€ 7.00
MAN Family Wines, Coastal Region	0.75 l	€ 26.00

**Sparkling wine****Germany**

ATLANTIC Sparkling wine extra dry	0.10 l	€ 5.20
Schloss Affaltrach, Baden-Württemberg	0.75 l	€ 31.50

## FUNCTION ROOMS

### A range of options for meetings and events

#### Our Conference Center:







- Room 1 (500 sqm) with an extraordinary view of the Universum® Bremen can be divided into two rooms (250 sqm each) in just a few minutes using soundproof partitioning.
- Just like our hotel lobby, Room 1 can also be accessed by car
- The spacious conference centre foyer can be used for gastronomic purposes or as an exhibition area
- 4 meeting rooms between 26 and 44 sqm adjacent to the large room can be used for seminars and workshops for between 10 and 30 people (depending on the seating))

#### The two conference rooms Albert Einstein (50 sqm) and Conrad Röntgen (70 sqm) are located in the hotel:

- The Conrad Röntgen room has a captivating view of the Universum® Bremen
- The Albert Einstein room has a ceiling height of 3.30 m making it the ideal place for ‚clear heads‘

### Capacities

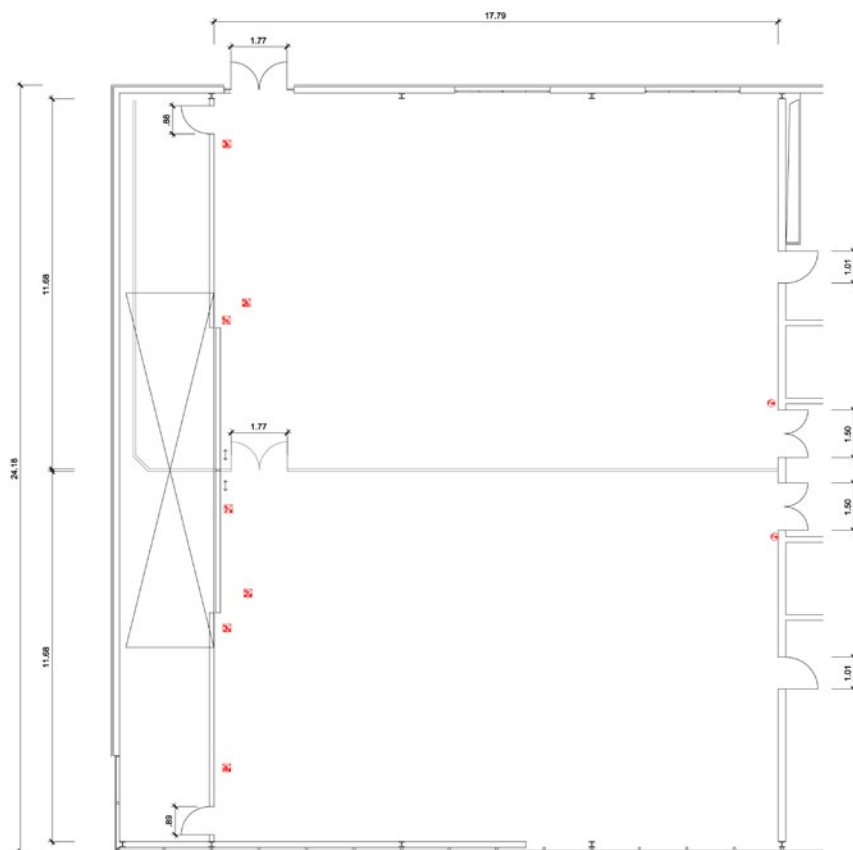
The Conference Center has 6 function rooms between 26 and 500 sqm as well as a large foyer and is connected directly to the hotel by a ground-level passage. The two other conference rooms Albert Einstein and Conrad Röntgen are also only a short distance away.

	sqm	Maximum number of persons						Room dimensions		
								Length	Width	Height
<b>Conference Center:</b>										
Saal 1	500	390	250	60	250	–	270	17.80	23.20	5.00
Saal 1a	250	190	130	40	130	–	140	17.80	11.50	5.00
Saal 1b	250	190	130	40	130	–	140	17.80	11.50	5.00
Saal 2	44	30	20	15	24	20	–	5.75	7.15	2.50
Saal 3	42	30	20	15	24	20	–	5.75	7.10	2.50
Saal 4	40	25	18	12	24	20	–	5.80	5.20	2.50
Saal 5	26	15	–	–	–	10	–	5.80	3.50	2.50
Foyer	280	–	–	–	100	–	200	15.00	15.00	5.00
<b>Hotel:</b>										
Albert Einstein	50	35	25	18	24	20	–	6.90	6.90	3.30
Conrad Röntgen (3 <sup>rd</sup> floor)	70	50	36	30	24	35	–	10.60	6.25	2.15

## Visualizations

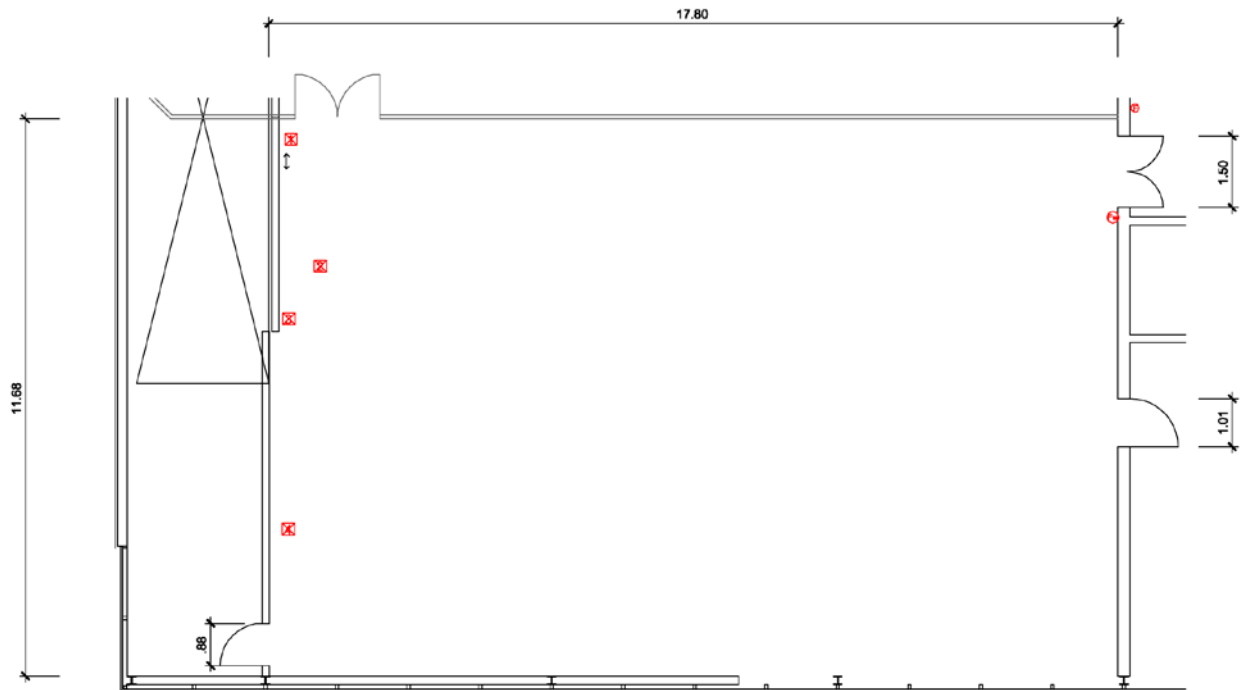
Sometimes ideas need to be put down on paper to visualize them more clearly. Using a special programme we are happy to prepare a CAD-based seating plan for your personal event. We look forward to shaping your ideas – please contact us!

### Saal 1



Daylight	✓
Air-conditioned	✓
To be darkened	✓
Accessible by car	✓
Internet access	WLAN/LAN
Power connection	28 x 230 V / 5 x 380 V
Projector	mobile
TV connection	✓
Sound system	✓
Floor covering	Parquet
Location in hotel	Ground floor
Other features	Removable ceiling light, dimmable light

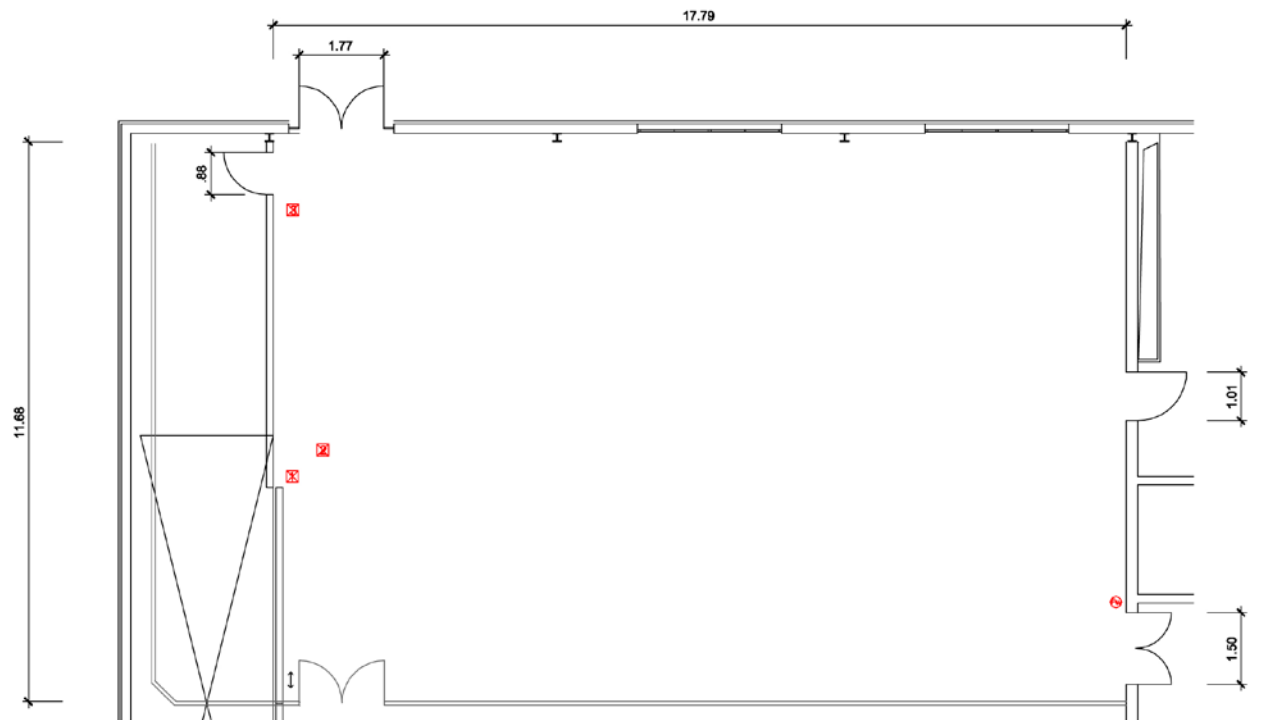
## Saal 1a



Daylight	✓
Air-conditioned	✓
To be darkened	✓
Accessible by car	✓
Internet access	WLAN/LAN
Power connection	14 x 230 V / 2 x 380 V
Projector	mobile
TV connection	✓
Sound system	✓
Floor covering	Parquet
Location in hotel	Ground floor
Other features	Removable ceiling light, dimmable light

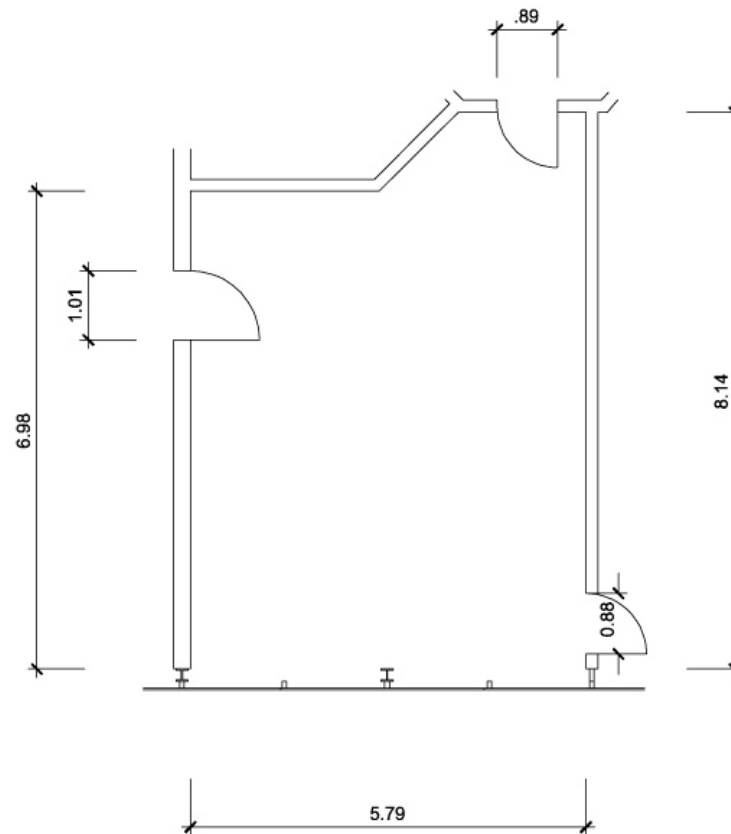


## Saal 1b



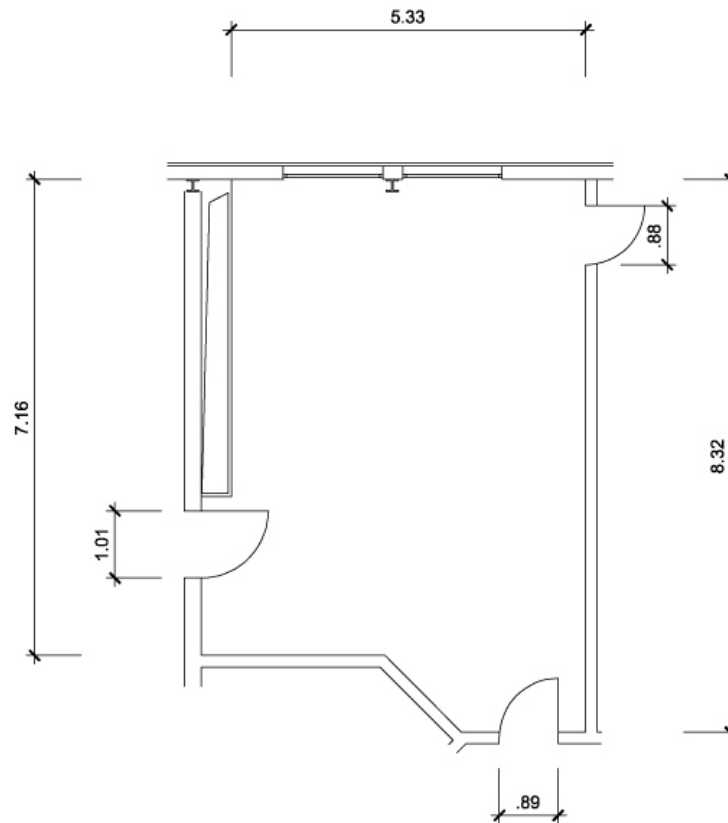
Daylight	✓
Air-conditioned	✓
To be darkened	✓
Accessible by car	✓
Internet access	WLAN/LAN
Power connection	14 x 230 V / 3 x 380 V
Projector	mobile
TV connection	✓
Sound system	✓
Floor covering	Parquet
Location in hotel	Ground floor
Other features	Removable ceiling light, dimmable light

## Saal 2



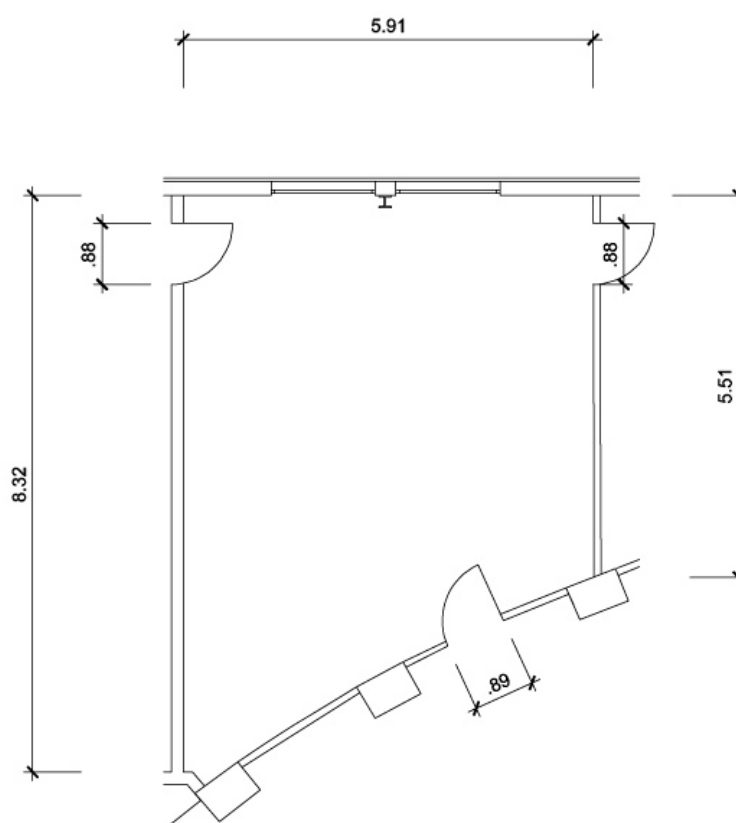
Daylight	✓
Air-conditioned	✓
To be darkened	✓
Accessible by car	-
Internet access	WLAN/LAN
Power connection	7 x 230 V / 1 x 380 V
Projector	mobile
TV connection	✓
Sound system	-
Floor covering	Carpet
Location in hotel	Ground floor
Other features	Dimmable light

## Saal 3



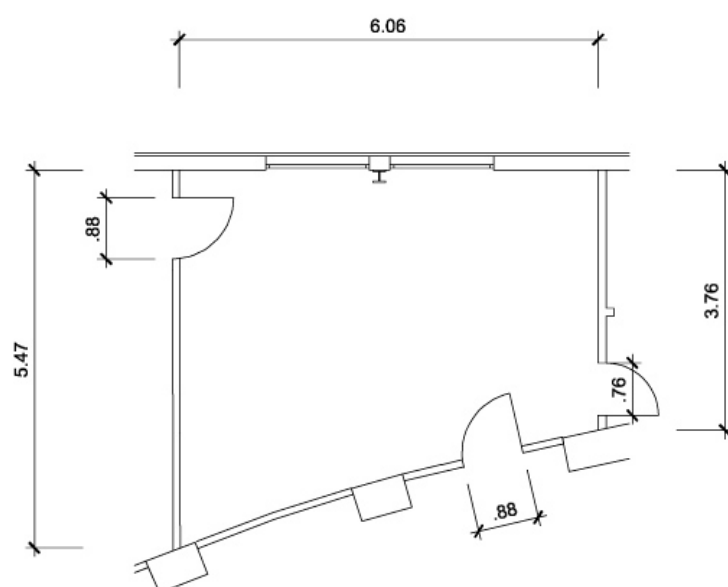
Daylight	✓
Air-conditioned	✓
To be darkened	✓
Accessible by car	-
Internet access	WLAN/LAN
Power connection	7 x 230 V
Projector	mobile
TV connection	✓
Sound system	-
Floor covering	Carpet
Location in hotel	Ground floor
Other features	Dimmable light

## Saal 4



Daylight	✓
Air-conditioned	✓
To be darkened	✓
Accessible by car	-
Internet access	WLAN/LAN
Power connection	9 x 230 V
Projector	mobile
TV connection	✓
Sound system	-
Floor covering	Carpet
Location in hotel	Ground floor
Other features	Dimmable light

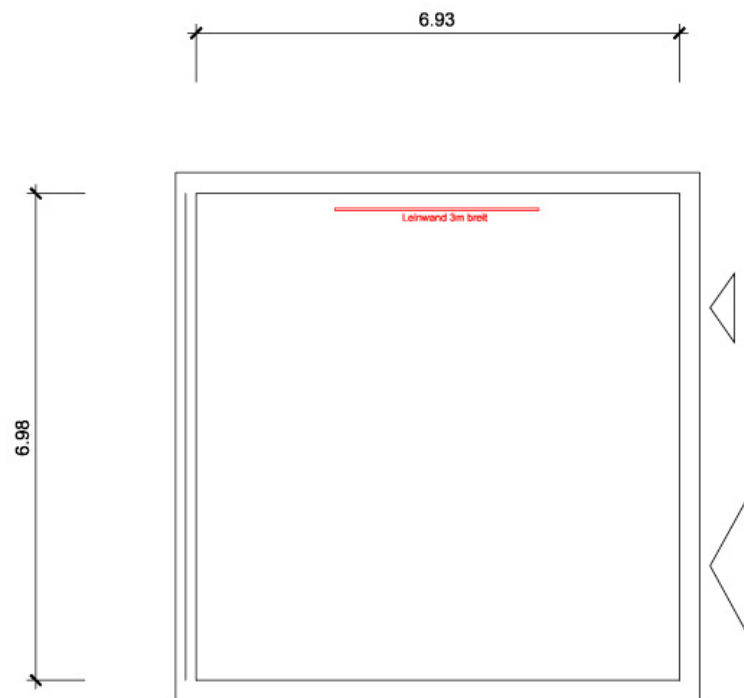
## Saal 5



Daylight	✓
Air-conditioned	✓
To be darkened	✓
Accessible by car	-
Internet access	WLAN/LAN
Power connection	6 x 230 V / 1 x 380 V
Projector	mobile
TV connection	✓
Sound system	-
Floor covering	Carpet
Location in hotel	Ground floor
Other features	Dimmable light

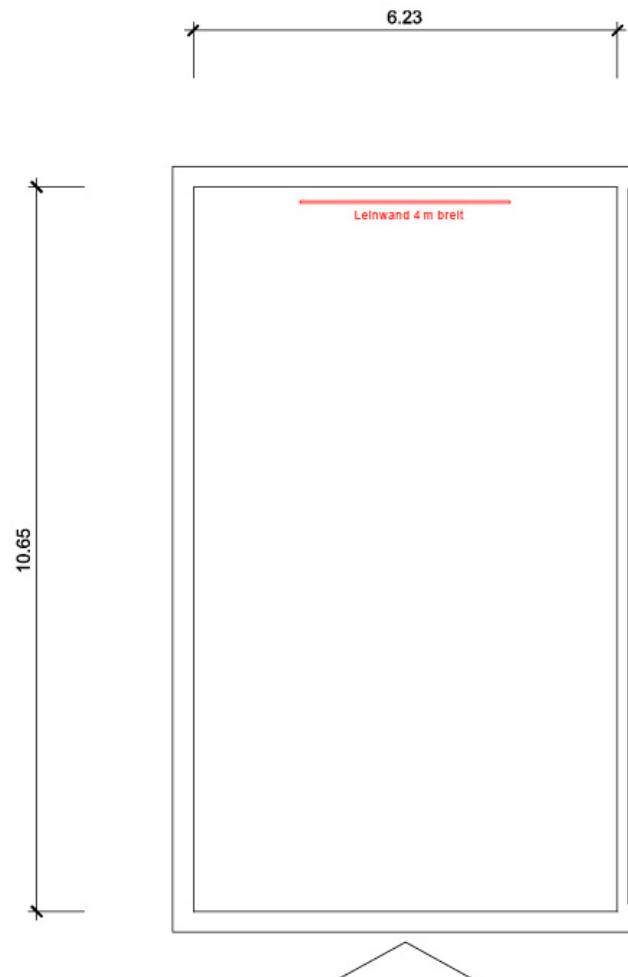


## Albert Einstein



Daylight	✓
Air-conditioned	✓
To be darkened	✓
Accessible by car	-
Internet access	WLAN/LAN
Power connection	7 x 230 V
Projector	mobile
TV connection	✓
Sound system	-
Floor covering	Carpet
Location in hotel	Ground floor
Other features	Dimmable light

## Conrad Röntgen



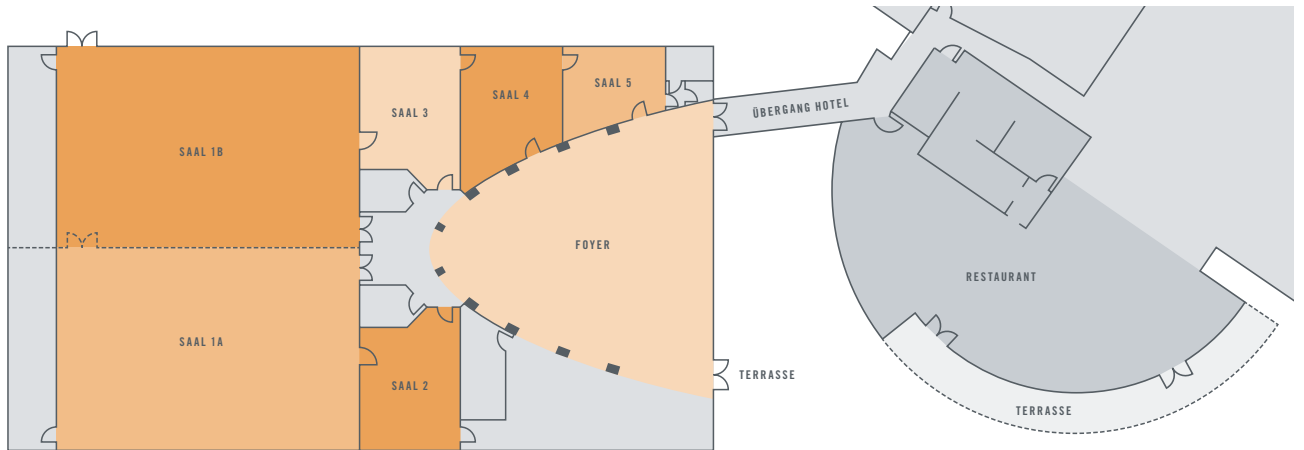
Daylight	✓
Air-conditioned	✓
To be darkened	✓
Accessible by car	-
Internet access	WLAN/LAN
Power connection	17 x 230 V / 6 x 380 V
Projector	mobile
TV connection	✓
Sound system	-
Floor covering	Carpet
Location in hotel	3rd floor
Other features	Dimmable light



## ROOM COSTS

### Clear and transparent

Transparency is one of the pillars of the ATLANTIC Hotels' SMART meetings & events concept. That's why we provide separate rates for our room costs.



Conference Center Bremen  
Ground floor

	Room size in sqm	Set-up costs in EUR	Room costs in EUR
Saal 1	500	870.00	2.000.00
Saal 1a	250	435.00	1.100.00
Saal 1b	250	435.00	1.100.00
Saal 2	44	95.00	195.00
Saal 3	42	95.00	195.00
Saal 4	40	95.00	195.00
Saal 5	26	60.00	120.00
Foyer Conference Center	280	on request	on request
Albert Einstein	50	110.00	200.00
Conrad Röntgen	70	190.00	300.00

The preparation costs for power, cleaning and seating mentioned above are charged regardless of the accommodation and restaurant sales. Technology may be rented externally and charged separately if required. The room rental depends on the event volume and is calculated separately.

## ACCOMPANYING PROGRAMMES

### Unforgettable moments

Regardless of whether you are a guest at a family event or are planning an incentive for your company event – we offer a range of options to make your stay in Bremen unforgettable.

We are happy to put together a supporting programme geared to your individual requirements and look forward to your receiving your inquiry.

We have selected a few highlights for you:

### An evening of flavours – stimulate all your senses



Experience the world of plants and herbs with all your senses! Herbs, spices and flavours turn a good meal into a gourmet speciality – this is your chance to learn more! Your evening of flavours starts in the botanic garden. Discover “fragrant plants for cooking, wellness and medicine” up close and personal and learn more about the small but important differences between “delicious or toxic” during a tour through Bremen’s botanic garden.

You are then welcomed to our restaurant with a delightful herb cocktail and treated to a 3-course meal full of different flavours as recommended by our chef.

#### Services included in the evening of flavours:

- Tour through Bremen’s botanic garden
- Herb cocktail reception at the CAMPUS restaurant
- 3-course flavour menu at the CAMPUS restaurant

€ 69.00 per person (excl. transfer and drinks with the meal)

Recommended time: 5 p.m. – 9 p.m. (approx. 4 hours)

*The evening of flavours can be booked from April to October starting from 15 people on request and depending on availability.*

## Self-made cocktails



Do you think back to your last visit to a bar with fascination? Would you like to learn more about the variety of cocktails? We offer you a cocktail course followed by dinner in our CAMPUS restaurant as an accompanying programme and a relaxed start to the evening. Under the guidance of our trained bar staff, you will be introduced to the art of mixing cocktails and learn interesting stories from the world of cocktails.

The following services are included in our event:

- 1 aperitif cocktail before dinner
- 3-course menu according to kitchen recommendation
- 2 cocktails of your choice (also non-alcoholic)

We are happy to vary the course of cocktail instruction and preparation according to your ideas. Your guests will be personally introduced to the world of cocktails and can try out their skills in a new area. Our chef will be happy to discuss your food preferences in advance of the evening.

€ 75.00 per person (*bookable for up to 25 people*)

## Visit the Universum® Bremen



Ever since humans acquired the gift of thought they have tried to understand the world. Researchers and scientists are engaged in the search for something that is almost impossible to grasp. The Universum® Bremen is a place that lets you discover the wonders of life in a playful and enjoyable way.

**In the conference break:**

Impulses for new thoughts – use the opportunity and take a break for up to 1.5 hours during your conference! Discover the Universum® Bremen and experience interesting facts on the subjects Earth, Person and Universe. You can continue your event with fresh swing.

Special condition for the attendees of a conference: € 5.00 per person

**As an event in the evening:**

Alternatively to a dinner in our hotel you can think of an evening event in the neighbouring Universum® Bremen. Contact us! We would be happy to cater your evening event within an exclusive booking of the Universum® Bremen.

## PREFERRED PARTNERS

### We make everything possible...

... but sometimes we need a bit of support. We work together with experts in technology, flower arrangements, music and entertainment who are aware of our high standards and who have gained our trust through years of cooperation. We are happy to provide our recommendations:

#### External technology

active blue  
Bauerland 19  
28259 Bremen  
Tel. +49 421 166 969 00  
Fax +49 421 166 969 09  
info@active-blue.com



#### Rental items

Party Rent Bremen  
Bernard & Roes GmbH  
Auf der Muggenburg 7-9  
28217 Bremen  
Tel. +49 421 4348368-0  
bremen@partyrent.com



#### Florist

floraldesign GmbH & Co KG  
Schwachhauser Heerstr. 208 a  
28219 Bremen  
Tel. +49 421 3306466  
info@floraldesign-bremen.de



#### Confectioner

Cafe Hauptmeier  
Im BEST WESTERN Hotel zur Post  
Bahnhofplatz 11  
28195 Bremen  
Tel. +49 421 3059801  
info@zurpost.bestwestern.de



#### Teambuilding

Teamgeist Nord GmbH  
Warnstedtstr. 28-32  
22525 Hamburg  
Tel. +49 40 4689924 11  
Fax +49 40 4689924 10  
k.pruss@teamgeist.com



## Photographer

Fotografie Antje Schimanke  
Bismarckstraße 51  
27570 Bremerhaven  
Tel. +49 471 3095247  
info@schimanke-fotografie.de

**FOTOGRAFIE**  
Antje Schimanke

Oliver Pracht Photo  
Liebigstraße 29  
49074 Osnabrück  
Tel. +49 541 99896656  
oliver@oliverpracht.com

## Photo box & Candy bar rental

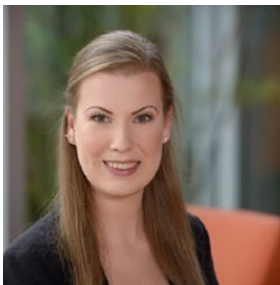
Schnappschuss-Bremen  
Die mobile Fotobox  
Carl-Goerdeler-Straße 73  
28327 Bremen  
Tel. +49 176 24921255  
info@schnappschuss-bremen.de



## CONTACTS

Our Event Sales department is always happy to help and to provide expert and professional advice on all topics relating to your event.

Arrange a personal meeting to get to know our hotel. We look forward to hearing from you via e-mail to [veranstaltung.ahu@atlantic-hotels.de](mailto:veranstaltung.ahu@atlantic-hotels.de) or telephone +49 421 2467-553!



**Leonie Wiegand**  
Event Sales Manager  
Tel. +49 421 2467-553  
[lwiegand@atlantic-hotels.de](mailto:lwiegand@atlantic-hotels.de)



**Ann-Katrin Lütjens**  
Event Sales Assistant  
Tel. +49 421 2467-551  
[aluetjens@atlantic-hotels.de](mailto:aluetjens@atlantic-hotels.de)