

## FUNCTION ROOMS

### A range of options for meetings and events

#### Our Conference Center:







- Room 1 (500 sqm) with an extraordinary view of the Universum® Bremen can be divided into two rooms (250 sqm each) in just a few minutes using soundproof partitioning.
- Just like our hotel lobby, Room 1 can also be accessed by car
- The spacious conference centre foyer can be used for gastronomic purposes or as an exhibition area
- 4 meeting rooms between 26 and 44 sqm adjacent to the large room can be used for seminars and workshops for between 10 and 30 people (depending on the seating))

#### The two conference rooms Albert Einstein (50 sqm) and Conrad Röntgen (70 sqm) are located in the hotel:

- The Conrad Röntgen room has a captivating view of the Universum® Bremen
- The Albert Einstein room has a ceiling height of 3.30 m making it the ideal place for ‚clear heads‘

### Capacities

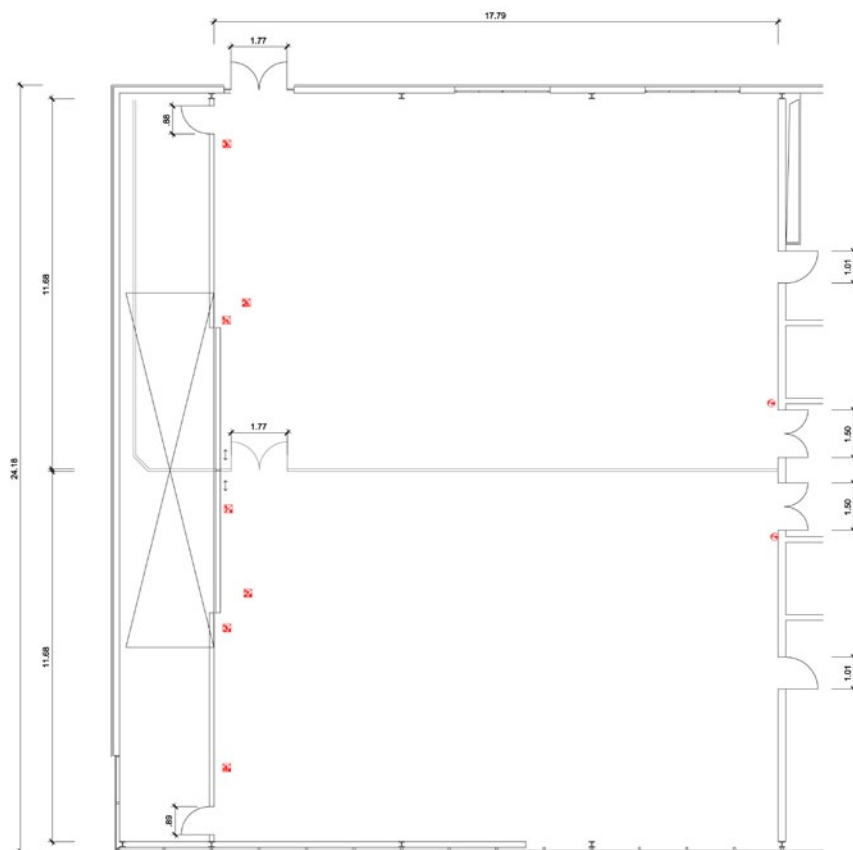
The Conference Center has 6 function rooms between 26 and 500 sqm as well as a large foyer and is connected directly to the hotel by a ground-level passage. The two other conference rooms Albert Einstein and Conrad Röntgen are also only a short distance away.

	sqm	Maximum number of persons						Room dimensions		
								Length	Width	Height
<b>Conference Center:</b>										
Saal 1	500	390	250	60	250	–	270	17.80	23.20	5.00
Saal 1a	250	190	130	40	130	–	140	17.80	11.50	5.00
Saal 1b	250	190	130	40	130	–	140	17.80	11.50	5.00
Saal 2	44	30	20	15	24	20	–	5.75	7.15	2.50
Saal 3	42	30	20	15	24	20	–	5.75	7.10	2.50
Saal 4	40	25	18	12	24	20	–	5.80	5.20	2.50
Saal 5	26	15	–	–	–	10	–	5.80	3.50	2.50
Foyer	280	–	–	–	100	–	200	15.00	15.00	5.00
<b>Hotel:</b>										
Albert Einstein	50	35	25	18	24	20	–	6.90	6.90	3.30
Conrad Röntgen (3 <sup>rd</sup> floor)	70	50	36	30	24	35	–	10.60	6.25	2.15

## Visualizations

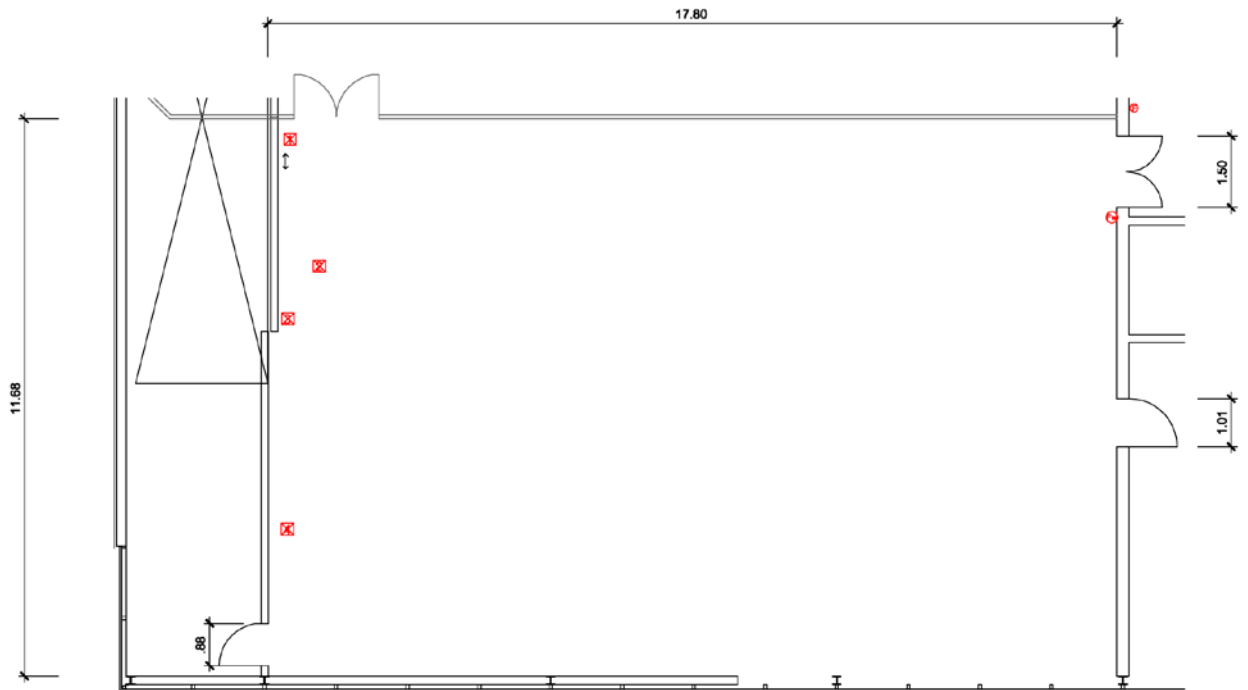
Sometimes ideas need to be put down on paper to visualize them more clearly. Using a special programme we are happy to prepare a CAD-based seating plan for your personal event. We look forward to shaping your ideas – please contact us!

### Saal 1



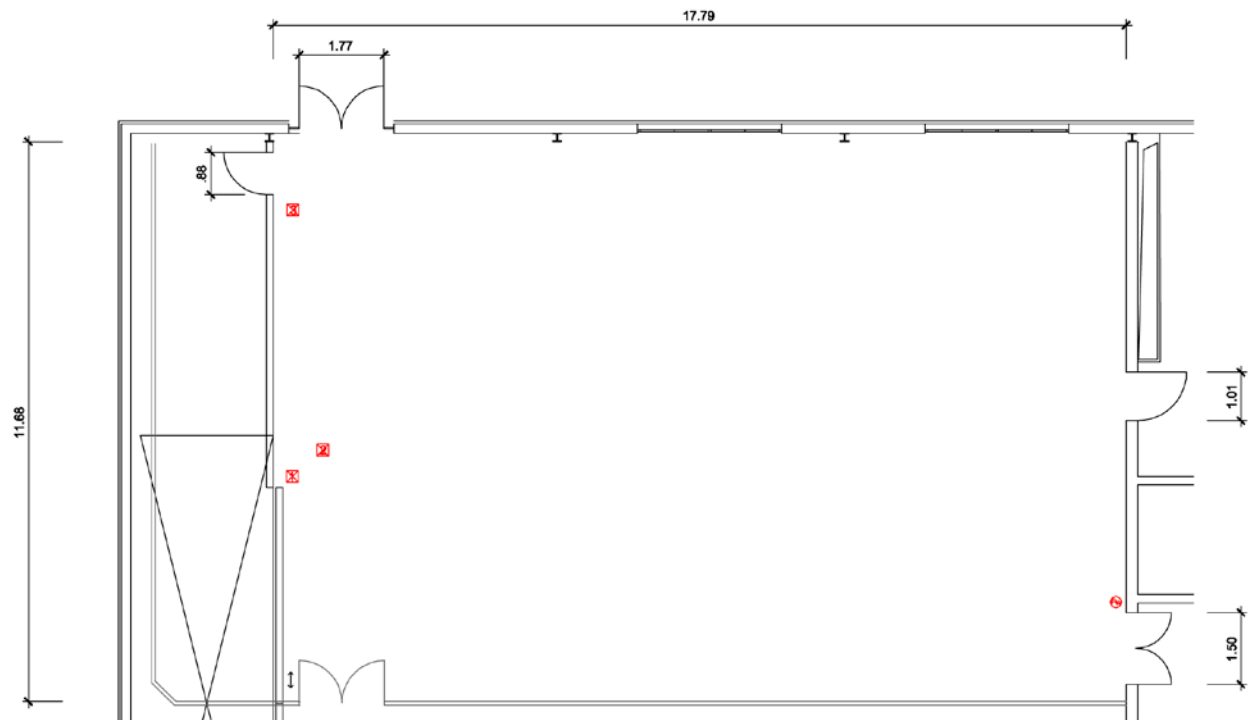
Daylight	✓
Air-conditioned	✓
To be darkened	✓
Accessible by car	✓
Internet access	WLAN/LAN
Power connection	28 x 230 V / 5 x 380 V
Projector	mobile
TV connection	✓
Sound system	✓
Floor covering	Parquet
Location in hotel	Ground floor
Other features	Removable ceiling light, dimmable light

## Saal 1a



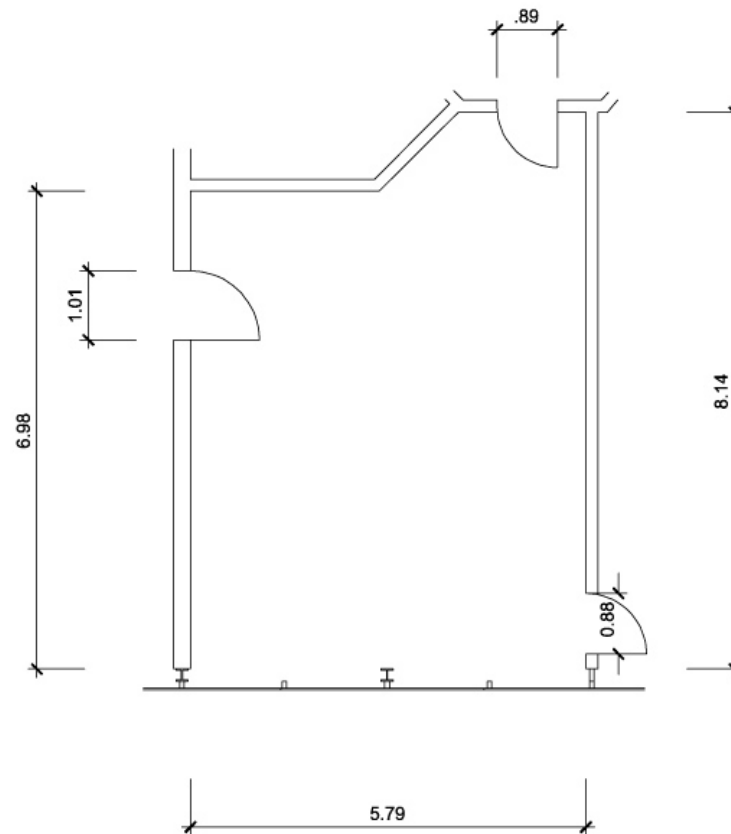
Daylight	✓
Air-conditioned	✓
To be darkened	✓
Accessible by car	✓
Internet access	WLAN/LAN
Power connection	14 x 230 V / 2 x 380 V
Projector	mobile
TV connection	✓
Sound system	✓
Floor covering	Parquet
Location in hotel	Ground floor
Other features	Removable ceiling light, dimmable light

## Saal 1b



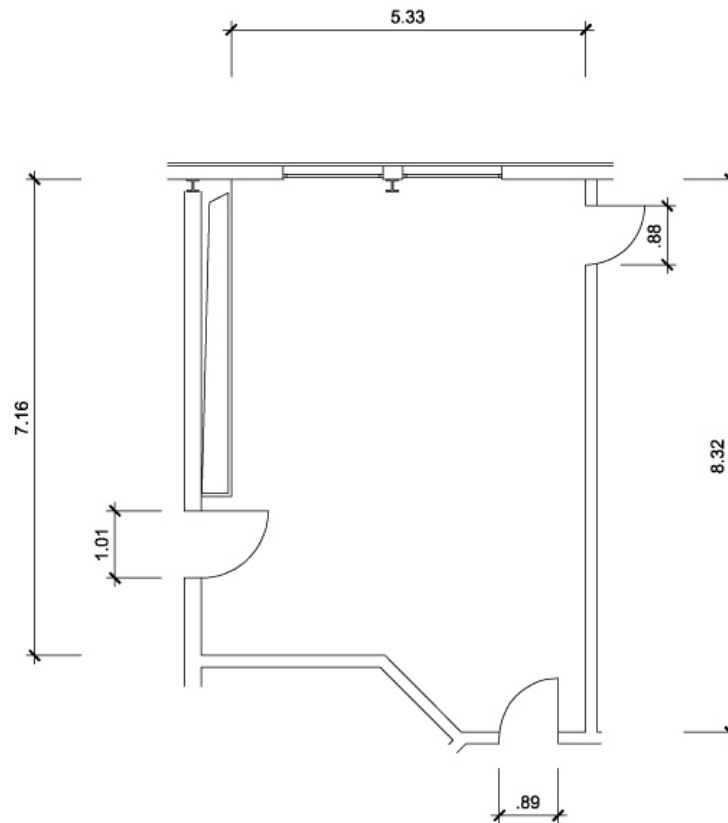
Daylight	✓
Air-conditioned	✓
To be darkened	✓
Accessible by car	✓
Internet access	WLAN/LAN
Power connection	14 x 230 V / 3 x 380 V
Projector	mobile
TV connection	✓
Sound system	✓
Floor covering	Parquet
Location in hotel	Ground floor
Other features	Removable ceiling light, dimmable light

## Saal 2



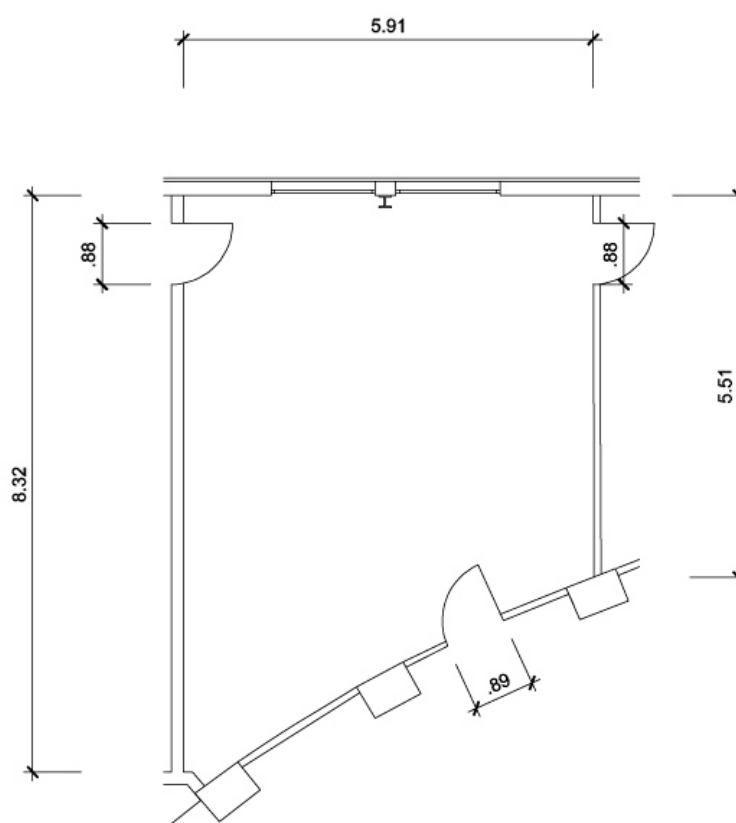
Daylight	✓
Air-conditioned	✓
To be darkened	✓
Accessible by car	-
Internet access	WLAN/LAN
Power connection	7 x 230 V / 1 x 380 V
Projector	mobile
TV connection	✓
Sound system	-
Floor covering	Carpet
Location in hotel	Ground floor
Other features	Dimmable light

## Saal 3



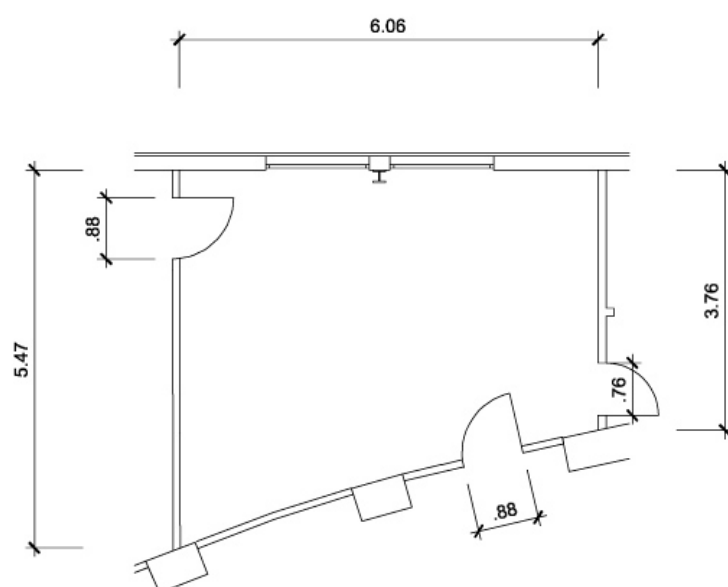
Daylight	✓
Air-conditioned	✓
To be darkened	✓
Accessible by car	-
Internet access	WLAN/LAN
Power connection	7 x 230 V
Projector	mobile
TV connection	✓
Sound system	-
Floor covering	Carpet
Location in hotel	Ground floor
Other features	Dimmable light

## Saal 4



Daylight	✓
Air-conditioned	✓
To be darkened	✓
Accessible by car	-
Internet access	WLAN/LAN
Power connection	9 x 230 V
Projector	mobile
TV connection	✓
Sound system	-
Floor covering	Carpet
Location in hotel	Ground floor
Other features	Dimmable light

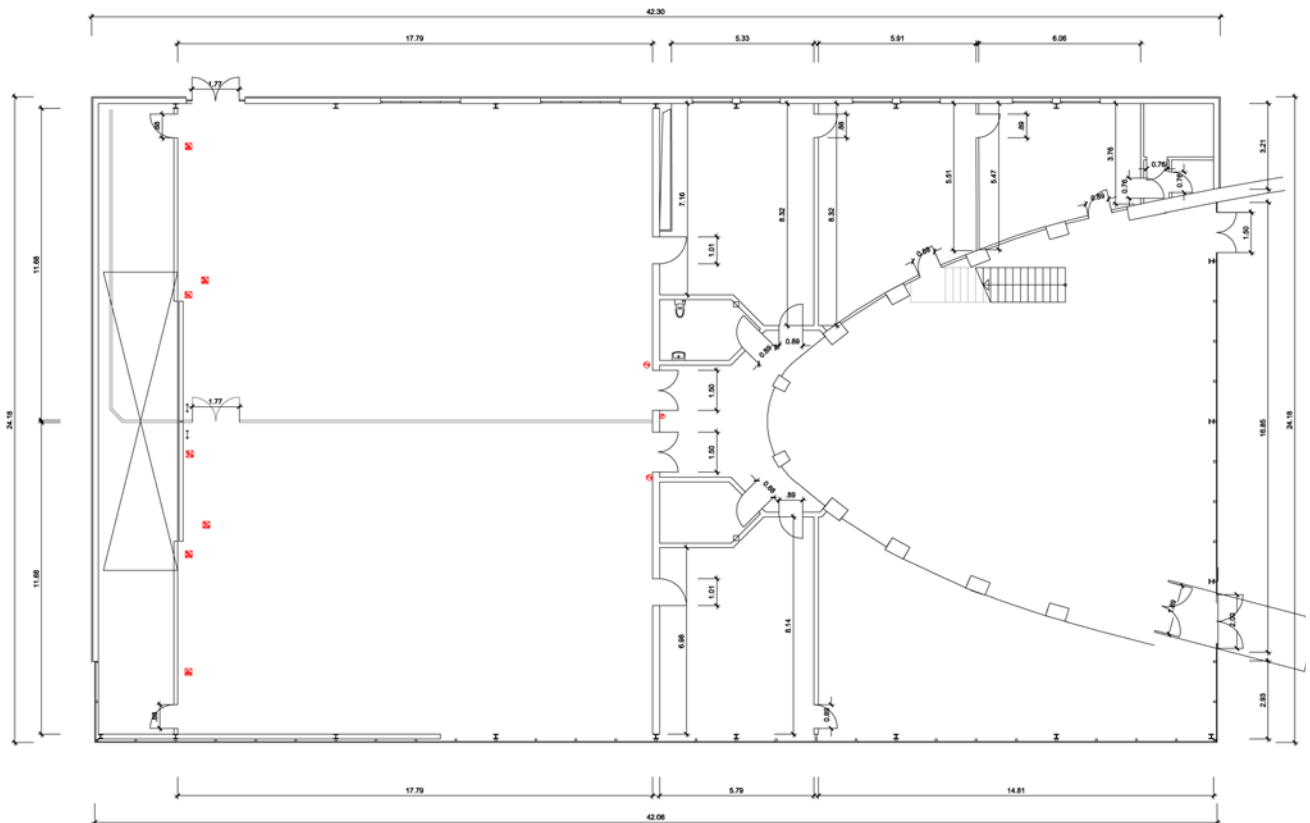
## Saal 5



Daylight	✓
Air-conditioned	✓
To be darkened	✓
Accessible by car	-
Internet access	WLAN/LAN
Power connection	6 x 230 V / 1 x 380 V
Projector	mobile
TV connection	✓
Sound system	-
Floor covering	Carpet
Location in hotel	Ground floor
Other features	Dimmable light

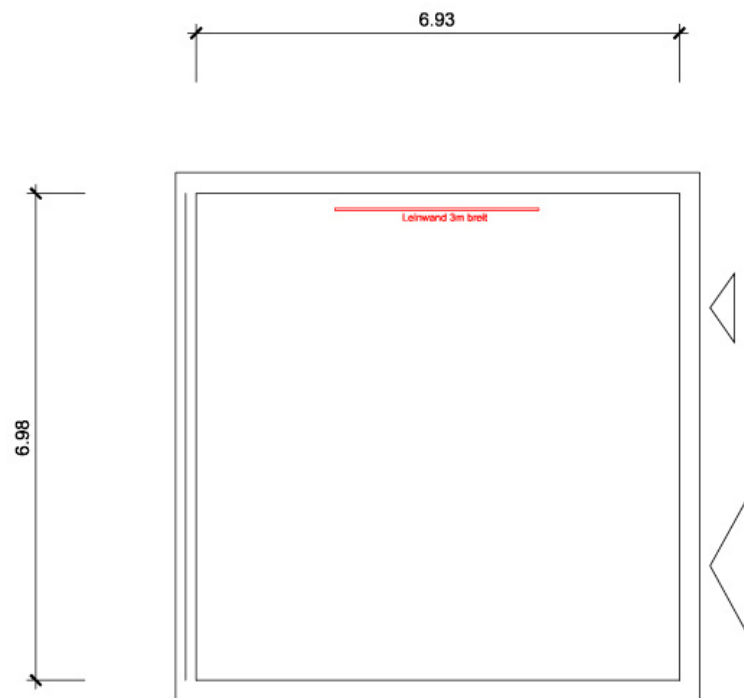


## Foyer Conference Center



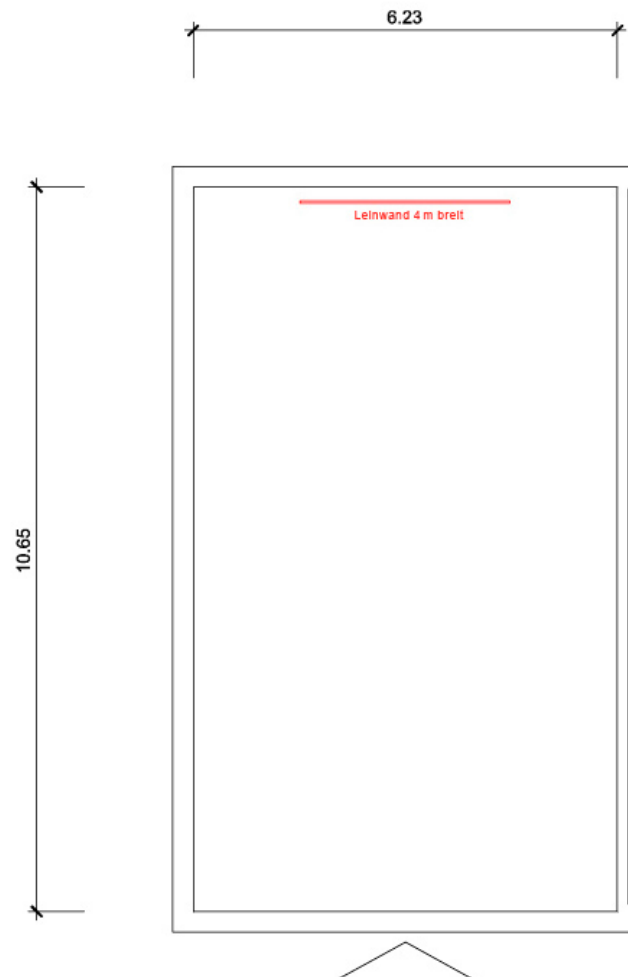
Daylight	✓
Air-conditioned	✓
To be darkened	-
Accessible by car	-
Internet access	WLAN/LAN
Power connection	14 x 230 V / 2 x 380 V
Projector	mobile
TV connection	✓
Sound system	-
Floor covering	Carpet
Location in hotel	Ground floor
Other features	Various lighting options

## Albert Einstein



Daylight	✓
Air-conditioned	✓
To be darkened	✓
Accessible by car	-
Internet access	WLAN/LAN
Power connection	7 x 230 V
Projector	mobile
TV connection	✓
Sound system	-
Floor covering	Carpet
Location in hotel	Ground floor
Other features	Dimmable light

## Conrad Röntgen

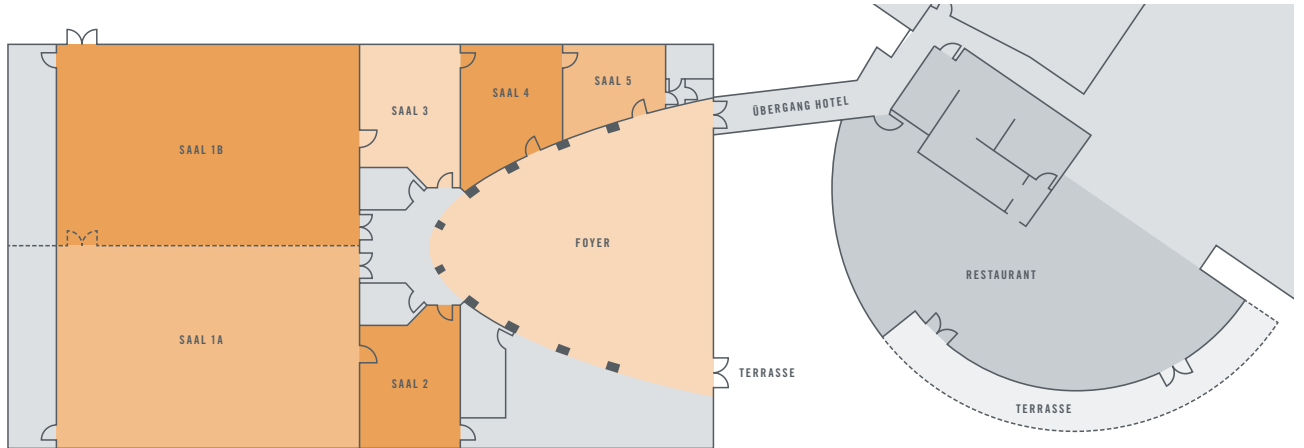


Daylight	✓
Air-conditioned	✓
To be darkened	✓
Accessible by car	-
Internet access	WLAN/LAN
Power connection	17 x 230 V / 6 x 380 V
Projector	mobile
TV connection	✓
Sound system	-
Floor covering	Carpet
Location in hotel	3rd floor
Other features	Dimmable light

## ROOM COSTS

### Clear and transparent

Transparency is one of the pillars of the ATLANTIC Hotels' SMART meetings & events concept. That's why we provide separate rates for our room costs.



Conference Center Bremen  
Ground floor

	Room size in sqm	Set-up costs in EUR	Room costs in EUR
Saal 1	500	870.00	2.000.00
Saal 1a	250	435.00	1.100.00
Saal 1b	250	435.00	1.100.00
Saal 2	44	95.00	195.00
Saal 3	42	95.00	195.00
Saal 4	40	95.00	195.00
Saal 5	26	60.00	120.00
Foyer Conference Center	280	on request	on request
Albert Einstein	50	110.00	200.00
Conrad Röntgen	70	190.00	300.00

The preparation costs for power, cleaning and seating mentioned above are charged regardless of the accommodation and restaurant sales. Technology may be rented externally and charged separately if required. The room rental depends on the event volume and is calculated separately.