



SMART EVENTS AT ATLANTIC HOTEL UNIVERSUM

ATLANTIC Hotel Universum
Wiener Straße 4 · 28359 Bremen
Tel. +49 (0)421 24 67-0
Fax +49 (0)421 24 67-500
universum@atlantic-hotels.de

Events Team
Tel. +49 (0)421 24 67-553
veranstaltung.ahu@atlantic-hotels.de

UNFORGETTABLE...

Successful celebrations are some of life's most special moments. We are committed to making sure that your celebration is professionally organized to meet your specific wishes, down to the last detail.

Private parties or company celebrations in the restaurant, on our terrace or in our function rooms: your occasion will have the perfect setting and your event will be in the best possible hands.

You choose:

Our two large rooms can accommodate up to 280 guests and an aperitif can be organized in the foyer. The foyer's special atmosphere is perfect for celebrations with up to 90 people. We would also be delighted to present the options available in our CAMPUS restaurant.

Celebration guide

Our event folder provides an overview of some of our ideas. Please have a browse through, we look forward to helping you plan your celebration:

- Menus
- Buffets
- Beverages
- Event packages
- Weddings
- Offers
- Room capacities
- Accompanying programmes
- Preferred Partners
- Contacts

Our staff in the Event Sales department will provide all the advice and support you need to help plan your event!

MENUS

Our chef has put together a selection of starters, main courses and desserts for you, which you can combine yourself individually as a unified menu (vegetarians will of course be considered separately). We will be happy to help you with the perusal – please do not hesitate to contact us.

Starters

Mixed leaf salad with balsamic vinaigrette,
smoked breast of duck and apricot chutney
€ 11.00

Marinated leaf salad with guinea fowl breast satay sticks,
lemongrass and soy, honey and sesame sauce
€ 12.00

Antipasti plate with marinated vegetables,
mozzarella balls and cherry tomatoes
€ 9.00

Soups

Carrot and ginger soup
€ 6.00

Tomato soup
€ 6.00

Bremen “Wedding Soup”
(chicken broth with vegetables, meatballs and dumplings)
€ 6.00

Lemongrass and coconut soup
€ 7.00

Vegetarian

Stuffed oven-baked tomatoes au gratin
with vegetable couscous and home-made chutney
€ 12.00

Tagliatelle with a ragout of wild mushrooms,
rocket and grated grana padano
€ 14.00

Main courses

Médailles of pork fillet wrapped in serrano ham
with courgette vegetables and roast potatoes
€ 20.00

Beef fillet steak with port wine sauce,
mixed vegetables and Mediterranean baked potatoes
€ 32.00

Roasted corn-fed chicken breast with herb jus,
mashed potatoes and pepper and onion vegetables
€ 19.00

Pan-fried salmon fillet with saffron and lime sauce,
sugar snaps and tomato vegetables and basmati rice
€ 23.00

Crispy pan-fried zander
with home-made mango and chilli chutney,
carrot and leek vegetables and chilli gnocchi
€ 22.00

Desserts

Panna Cotta with raspberry puree
€ 7.00

Duet of white and dark mousse au chocolat
with mango compote
€ 8.00

Mascarpone quark cream in a glass
with curried mango ragout
€ 7.00

*The prices for the menu is calculated of the individual prices.
The prices indicated all include applicable VAT.*

Status: 1 April 2022. Prices are subject to change.

BUFFETS

A buffet is available as an alternative to a set meal for groups starting from 25 people. We provide a wide range of starters, main courses and desserts that are certain to impress all your guests:

Buffet Italia (example)

Medium roasted slices of prime boiles veal
on tuna sauce with caper berries

Antipasti variation with marinated vegetables,
olives and pepperoni

Tomato with mozzarella on home-made pesto and rocket

Mediterranean pasta salad with sheep's cheese

Salad of sundried tomatoes and white beans
with fresh herbs and red onions

Oven-fresh ciabatta and baguettes

Minestrone with parmesan and croutons

Saltimbocca of chicken breast with herb jus
on colourful courgette vegetables and small baked potatoes

Goatfish fillets with olive sauce
on ratatouille vegetables with basmati rice

Vegetarian lasagne with basil, vegetables and artichokes

Tiramisu with fruit

Amarettini mousse with apricot sauce

Panna cotta with raspberry purée

€ 44.00 per person

We also can create a buffet according to your wishes. Please contact us!

Status: 1 April 2022. Prices are subject to change.

BEVERAGES

An individual selection of beverages perfect for every occasion. Choose from a range of non-alcoholic and alcoholic drinks or browse through our World of Wine. We will naturally adapt our offer to your wishes!

Aperitif

Elderberry Sprizz <i>Elderberry syrup, fresh mint, lime, ATLANTIC Sparkling wine, soda</i>	0.2 l	€ 8.50
Aperol Sprizz <i>Aperol, ATLANTIC Sparkling wine, soda, orange</i>	0.2 l	€ 8.50
Campus Aperitivo <i>Bombay Gin, lime juice, elderberry syrup, Schweppes tonic water</i>	0.2 l	€ 8.50
Ramazotti Rosato Duo <i>Aperitivo Rosato, Schweppes tonic water, Lime</i>	0.2 l	€ 8.50
Sandemann Sherry <i>Dry, medium, cream</i>	5 cl	€ 5.00
Delaforce Portwein <i>Fine white port, Fine ruby</i>	5 cl	€ 5.20
Lillet <i>Blanc, Rouge, rosé</i>	5 cl	€ 5.50
Martini <i>Bianco, rosso, d'oro, extra dry</i>	5 cl	€ 5.20
Campari <i>- with orange juice or soda</i>	0.2 l	€ 7.50
<i>- with ATLANTIC Sparkling wine</i>	0.2 l	€ 9.50

Sparkling wine / Prosecco

ATLANTIC Sparkling wine extra dry	0.1 l	€ 5.20
	0.75 l	€ 31.50
Ragazzo Prosecco frizzante DOC	0.1 l	€ 4.50
	0.75 l	€ 27.50

Beers on draught

Beck's Pils	0.3 l	€ 3.50
	0.5 l	€ 5.20
Alster (beer and lemonade)	0.3 l	€ 3.50
	0.5 l	€ 5.20
Haake Beck Kräusen	0.3 l	€ 3.50
	0.5 l	€ 5.20
Franziskaner wheat beer	0.3 l	€ 3.50
	0.5 l	€ 5.20

Bottled beers

Beck's Pils, Beck's non-alcoholic	0.33 l	€ 3.80
Franziskaner wheat beer dark, crystal, non-alcoholic	0.33 l	€ 3.80
	0.5 l	€ 5.50
Vita Malz non-alcoholic	0.33 l	€ 3.50

Non-alcoholic drinks

Magnus Imperial mineral water	0.25 l	€ 3.20
fine sparkling or plain	0.75 l	€ 7.20
Coca Cola	0.2 l	€ 3.50
Coca Cola light, zero	0.2 l	€ 3.50
Sprite, Fanta, Mezzo Mix	0.2 l	€ 3.50
Schweppes	0.2 l	€ 3.60
Bitter Lemon, Ginger Ale, Tonic Water, Wildberry		
Thomas Henry Tonic Water	0.2 l	€ 3.80
Fevertree Tonic Water	0.2 l	€ 3.80
Niehoff's Vaihinger juices		
- Apple juice	0.2 l	€ 3.50
- Orange juice	0.2 l	€ 3.50
- Passion fruit nectar	0.2 l	€ 3.50
- Rhubarb nectar	0.2 l	€ 3.50
- Grape juice	0.2 l	€ 3.50
- Cherry nectar	0.2 l	€ 3.50
- Currant nectar	0.2 l	€ 3.50
- Grapefruit juice	0.2 l	€ 3.50
- Banana nectar	0.2 l	€ 3.50
- Tomato juice	0.2 l	€ 3.50
Juice spritzer	0.2 l	€ 3.50
	0.5 l	€ 5.50

Hot beverages

Cup of coffee	€ 3.00
Café au lait	€ 3.90
Cappuccino	€ 3.40
Latte Macchiato	€ 3.90
Espresso	€ 2.80
Double Espresso	€ 4.40
Hot chocolate	€ 3.60
Glass of tea	€ 3.50
Hot lemon	€ 2.50

The ATLANTIC Wineworld offers a wide selection of wines from all over the world in all our hotels of the ATLANTIC Group.

In the Wineworld you will find wines by the glass and wines by the bottle.



White wine

Germany

Pinot blanc QbA	0.20 l	€ 7.50
Winery Karl Pfaffmann, Palatinate	0.75 l	€ 27.50
„Grohsartig“ QbA	0.20 l	€ 7.50
Winery Groh, Rhinehessen	0.75 l	€ 27.50
Pinot gris BIO QbA	0.20 l	€ 11.00
Winery Wittmann, Rhinehessen	0.75 l	€ 39.00
Riesling BIO QbA	0.20 l	€ 10.50
Winery Wittmann, Rhinehessen	0.75 l	€ 36.00
Pinot blanc QbA	0.75 l	€ 49.00
Winery Friedrich Becker, Palatinate & Alsace		

Austria

Grüner Veltliner BIO D.A.C	0.20 l	€ 9.50
Winery Loimer, Kamptal	0.75 l	€ 34.00

Italy

Chardonnay Simboli DOC	0.20 l	€ 8.00
Winery Cantina La Vis, Trentino	0.75 l	€ 28.00
Roero Arneis DOSCG	0.75 l	€ 55.00
Winery Bruno Giacosa, Piedmont		

France

Sancerre Blanc Le Tournebride Bio, AOC	0.75 l	€ 55.00
Winery Vincent Gaudry, Sancerre		

South Africa

Kleine Rust	0.20 l	€ 7.50
Stellenrust Winery, Stellenbosch	0.75 l	€ 27.50

New Zealand

Sauvignon Blanc	0.75 l	€ 45.00
Winery Mount Nelson, Marlborough		

Rosé**France**

Aix Rosé	0.20 l	€ 11.00
Winery Saint Aix, Provence, Aix	0.75 l	€ 39.00

Red wine**Germany**

Pinot noir QbA	0.20 l	€ 8.50
Winery Karl Pfaffmann, Palatinate	0.75 l	€ 31.00

Ursprung	0.20 l	€ 10.00
Winery Markus Schneider, Palatinate	0.75 l	€ 35.00

Pinot Noir „B“, QbA	0.75 l	€ 48.00
Winery Friedrich Becker, Palatinate & Alsace		

Italy

Chianti Colli Senesi Farnetella	0.20 l	€ 11.00
Winery Felsina, Tuscany	0.75 l	€ 39.00

Langhe Nebbiolo Perbacco, DOCG	0.75 l	€ 48.00
Winery Vietti, Piedmont		

France

Château Les Rosiers	0.20 l	€ 7.50
Winery Les Rosiers, Bordeaux	0.75 l	€ 27.50

Saint-Émilion Grand Cru	0.75 l	€ 65.00
Winery Château Valade, Bordeaux, Saint-Émilion		

Spain

Altos Ibéricos Rioja DOCa	0.20 l	€ 8.00
Winery Miguel Torres, Rioja	0.75 l	€ 28.00
Lindes De Remelluri, DOCa	0.75 l	€ 41.00
Winery Bodegas Remelluri, Rioja Alavesa		

Australia

Stickleback Red	0.20 l	€ 8.00
Heartland Wines, Langhorne Creek	0.75 l	€ 28.00
Directors' Cut Shiraz	0.75 l	€ 58.00
Heartland Wines, Langhorne Creek		

South Africa

Jan Fiskaal Merlot	0.20 l	€ 7.00
MAN Family Wines, Coastal Region	0.75 l	€ 26.00

Sparkling wine**Germany**

ATLANTIC Sparkling wine extra dry	0.10 l	€ 5.20
Schloss Affaltrach, Baden-Württemberg	0.75 l	€ 31.50

EVENT PACKAGES

Celebrate without unpleasant surprises

An agreed range of drinks and time frame mean that you can relax and enjoy your celebration. The packages listed here leave absolutely nothing to be desired. Naturally we are also happy to arrange an alternative package that meets your specific needs.

We recommend the following package:

Event package “Celebrations”

- Reception with sparkling wine, orange juice and water
- Festive 3-course meal or buffet as recommended by the chef
- 2-hour drinks package (starting after the reception) with water and other selected non-alcoholic soft drinks, house red and white wine and Beck's on tap
- Coffees after lunch with filter coffee, coffee specialities, tea and sheet cakes

€ 65.50 per person

Beverage packages

- Reception with Prosecco, orange juice and mineral water
- Non-alcoholic drinks
- Beck's on tap, non-alcoholic Beck's
- House red and white wine
- Spirits unlimited (2 of your choice, e.g. Havana Club, Jack Daniels, Absolut Vodka)
- Filter coffee and a ALTHAUS tea selection

8 hours: € 69.00

The prices indicated all apply per person and include applicable VAT.

WEDDINGS

Your perfect day

Are you looking for the perfect location for your perfect day? A reception with sparkling wine, romantic photos in the Bremen public park and a celebration in a stylish atmosphere – our large function room with festively decorated floor-to-ceiling windows and high ceilings provides the perfect setting.

The open foyer with a view of the Universum® Bremen is the ideal place for your reception with sparkling wine, which is served on the terrace in fine weather.

The CAMPUS restaurant, famous for its outstanding kitchen, will delight you and your guests with a diverse range of dishes and top-quality service. The friendly and expert service provided by our staff ensures that you as the host can relax and enjoy the day. The bride and groom also get to spend their wedding night in one of our studios including a surprise courtesy from the hotel.

We will help you plan your perfect day with a special wedding menu tailored specifically to your wishes together with the matching drinks and also answer all your questions about table decorations, menu cards, music and photographs. Our Event Sales Team is always happy to help and looks forward to discussing your options with you personally.

Wedding package “In seventh heaven”

Our wedding package includes the following:

- In-house decoration, e.g. floor spots with coloured light and menus with personal dedication
- Reception with Prosecco, orange juice and mineral water
- Festive 3-course meal *or* buffet after prior arrangement
- 7-hours beverage package (starting with the reception):
 - Magnus mineral water (is set on the tables)
 - soft drinks and various juices
 - Red and white wine as arranged
 - Beck's on tap, Beck's non-alcoholic
 - Franziskaner wheat beer, Franziskaner wheat beer non-alcoholic
 - Filtered coffee and Althaus tea specialities
 - 2 liquors (e.g. rum, vodka, gin)
- Midnight snack with a soup or a snack in arrangement with the chef

€ 119.00 per person

From 0.00 a.m. we charge a service fee of € 150 per hour. Closing time: 3.00 a.m.

FUNCTION ROOMS

A range of options for meetings and events

Our Conference Center:







- Room 1 (500 sqm) with an extraordinary view of the Universum® Bremen can be divided into two rooms (250 sqm each) in just a few minutes using soundproof partitioning.
- Just like our hotel lobby, Room 1 can also be accessed by car
- The spacious conference centre foyer can be used for gastronomic purposes or as an exhibition area
- 4 meeting rooms between 26 and 44 sqm adjacent to the large room can be used for seminars and workshops for between 10 and 30 people (depending on the seating))

The two conference rooms Albert Einstein (50 sqm) and Conrad Röntgen (70 sqm) are located in the hotel:

- The Conrad Röntgen room has a captivating view of the Universum® Bremen
- The Albert Einstein room has a ceiling height of 3.30 m making it the ideal place for ‚clear heads‘

Capacities

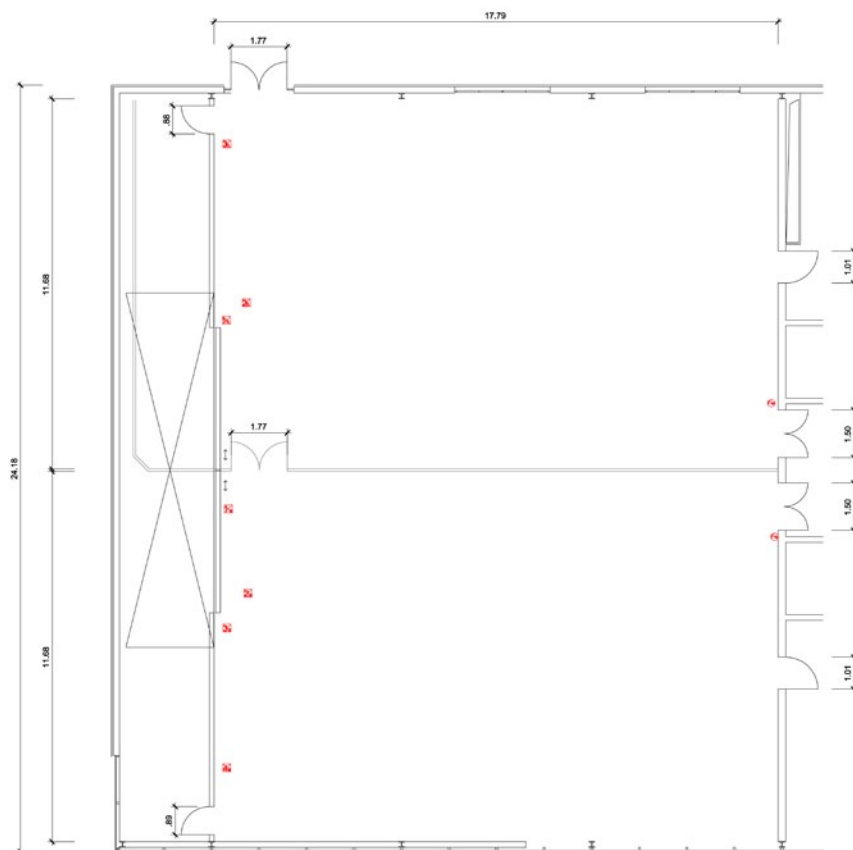
The Conference Center has 6 function rooms between 26 and 500 sqm as well as a large foyer and is connected directly to the hotel by a ground-level passage. The two other conference rooms Albert Einstein and Conrad Röntgen are also only a short distance away.

	sqm	Maximum number of persons						Room dimensions		
								Length	Width	Height
Conference Center:										
Saal 1	500	390	250	60	250	–	270	17.80	23.20	5.00
Saal 1a	250	190	130	40	130	–	140	17.80	11.50	5.00
Saal 1b	250	190	130	40	130	–	140	17.80	11.50	5.00
Saal 2	44	30	20	15	24	20	–	5.75	7.15	2.50
Saal 3	42	30	20	15	24	20	–	5.75	7.10	2.50
Saal 4	40	25	18	12	24	20	–	5.80	5.20	2.50
Saal 5	26	15	–	–	–	10	–	5.80	3.50	2.50
Foyer	280	–	–	–	100	–	200	15.00	15.00	5.00
Hotel:										
Albert Einstein	50	35	25	18	24	20	–	6.90	6.90	3.30
Conrad Röntgen (3 rd floor)	70	50	36	30	24	35	–	10.60	6.25	2.15

Visualizations

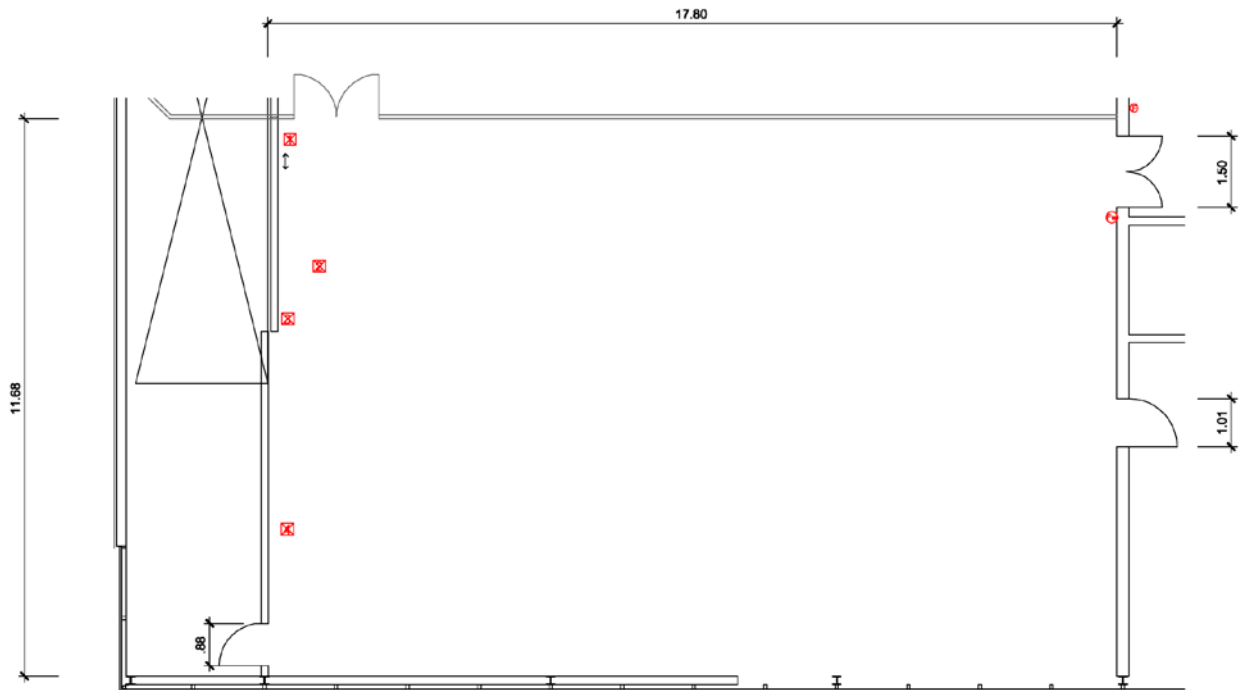
Sometimes ideas need to be put down on paper to visualize them more clearly. Using a special programme we are happy to prepare a CAD-based seating plan for your personal event. We look forward to shaping your ideas – please contact us!

Saal 1



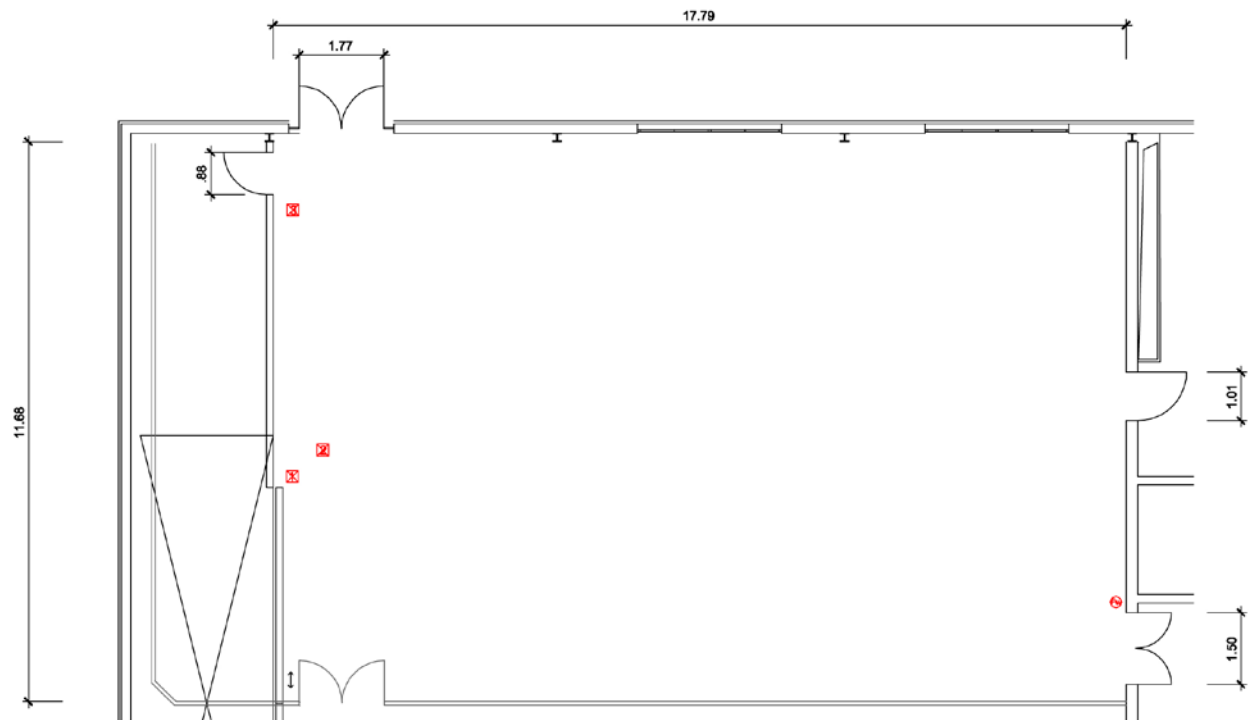
Daylight	✓
Air-conditioned	✓
To be darkened	✓
Accessible by car	✓
Internet access	WLAN/LAN
Power connection	28 x 230 V / 5 x 380 V
Projector	mobile
TV connection	✓
Sound system	✓
Floor covering	Parquet
Location in hotel	Ground floor
Other features	Removable ceiling light, dimmable light

Saal 1a



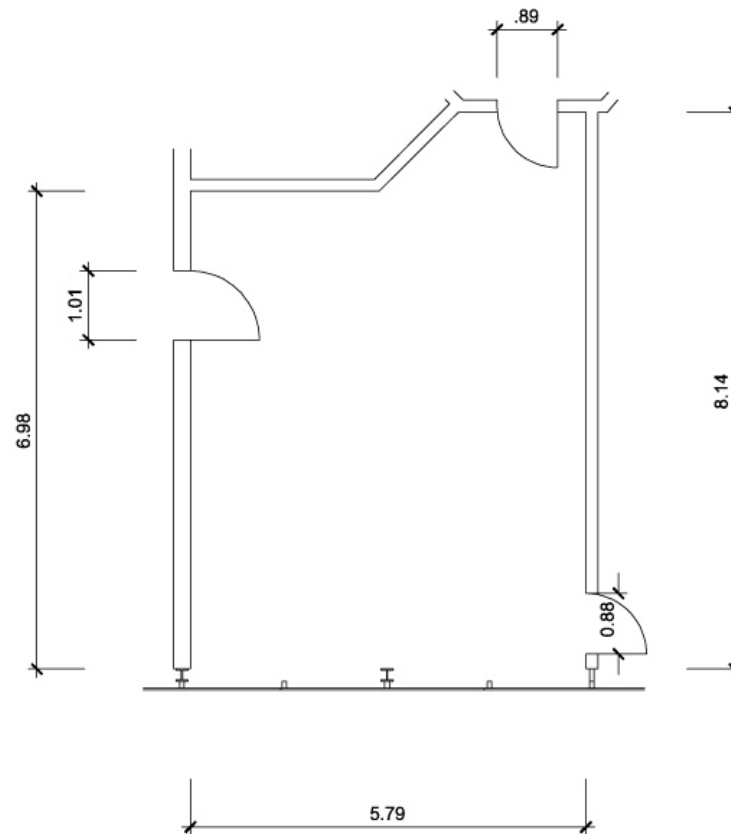
Daylight	✓
Air-conditioned	✓
To be darkened	✓
Accessible by car	✓
Internet access	WLAN/LAN
Power connection	14 x 230 V / 2 x 380 V
Projector	mobile
TV connection	✓
Sound system	✓
Floor covering	Parquet
Location in hotel	Ground floor
Other features	Removable ceiling light, dimmable light

Saal 1b



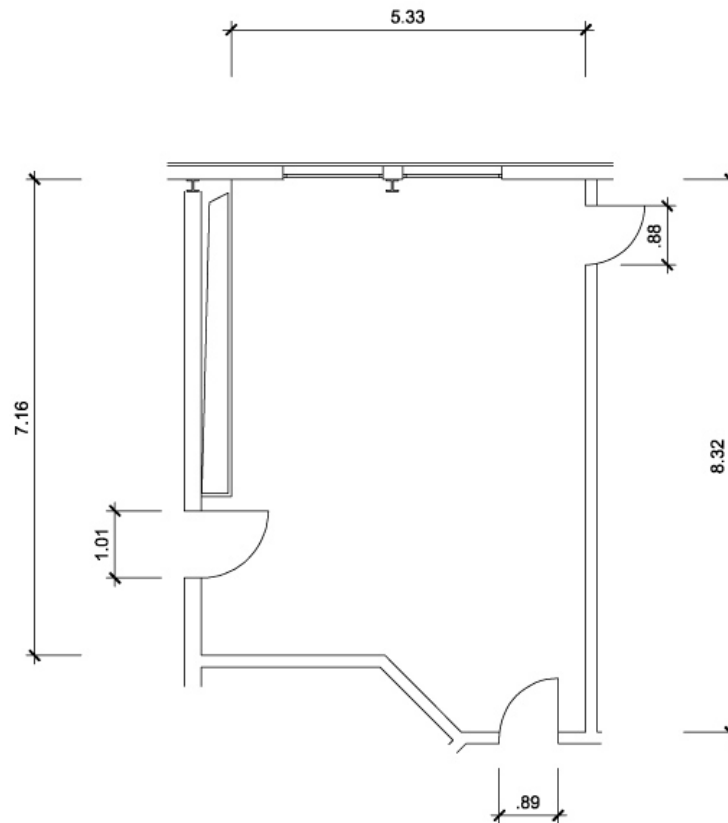
Daylight	✓
Air-conditioned	✓
To be darkened	✓
Accessible by car	✓
Internet access	WLAN/LAN
Power connection	14 x 230 V / 3 x 380 V
Projector	mobile
TV connection	✓
Sound system	✓
Floor covering	Parquet
Location in hotel	Ground floor
Other features	Removable ceiling light, dimmable light

Saal 2



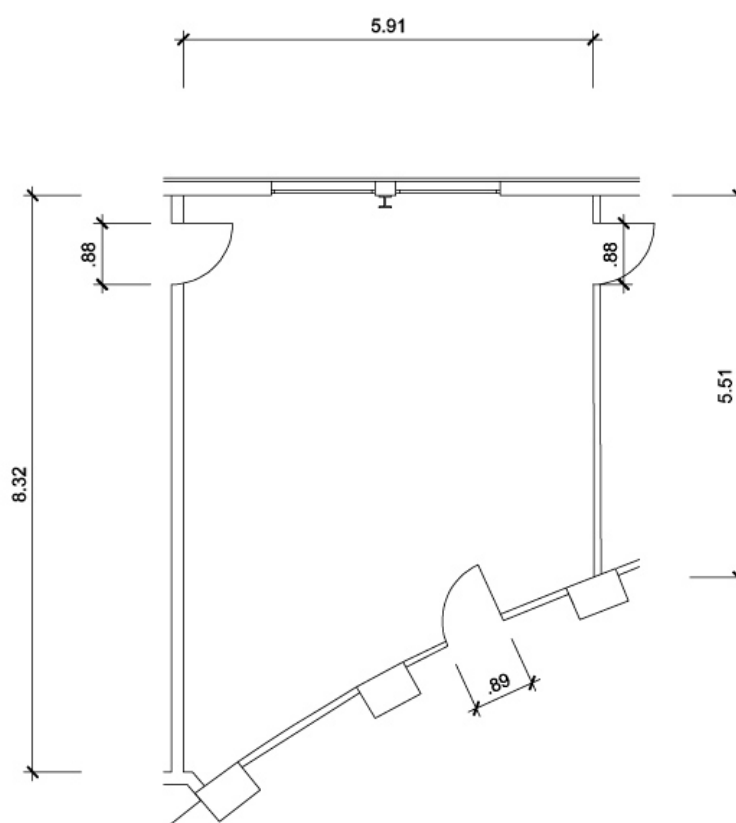
Daylight	✓
Air-conditioned	✓
To be darkened	✓
Accessible by car	-
Internet access	WLAN/LAN
Power connection	7 x 230 V / 1 x 380 V
Projector	mobile
TV connection	✓
Sound system	-
Floor covering	Carpet
Location in hotel	Ground floor
Other features	Dimmable light

Saal 3



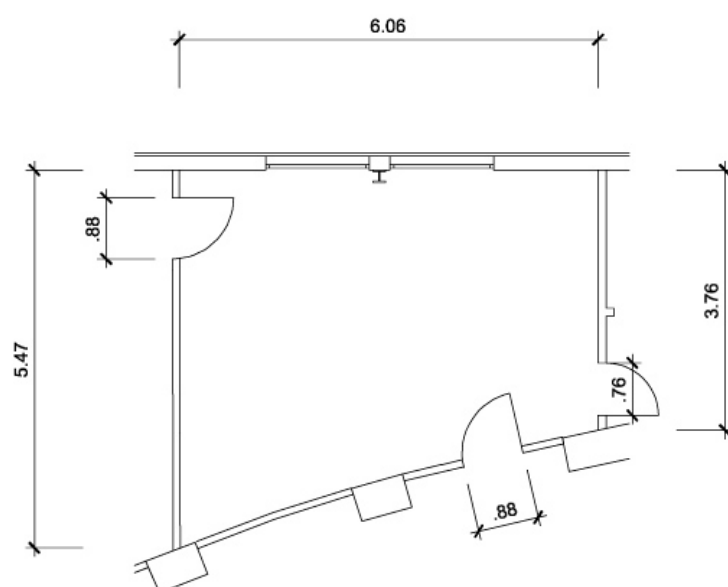
Daylight	✓
Air-conditioned	✓
To be darkened	✓
Accessible by car	-
Internet access	WLAN/LAN
Power connection	7 x 230 V
Projector	mobile
TV connection	✓
Sound system	-
Floor covering	Carpet
Location in hotel	Ground floor
Other features	Dimmable light

Saal 4



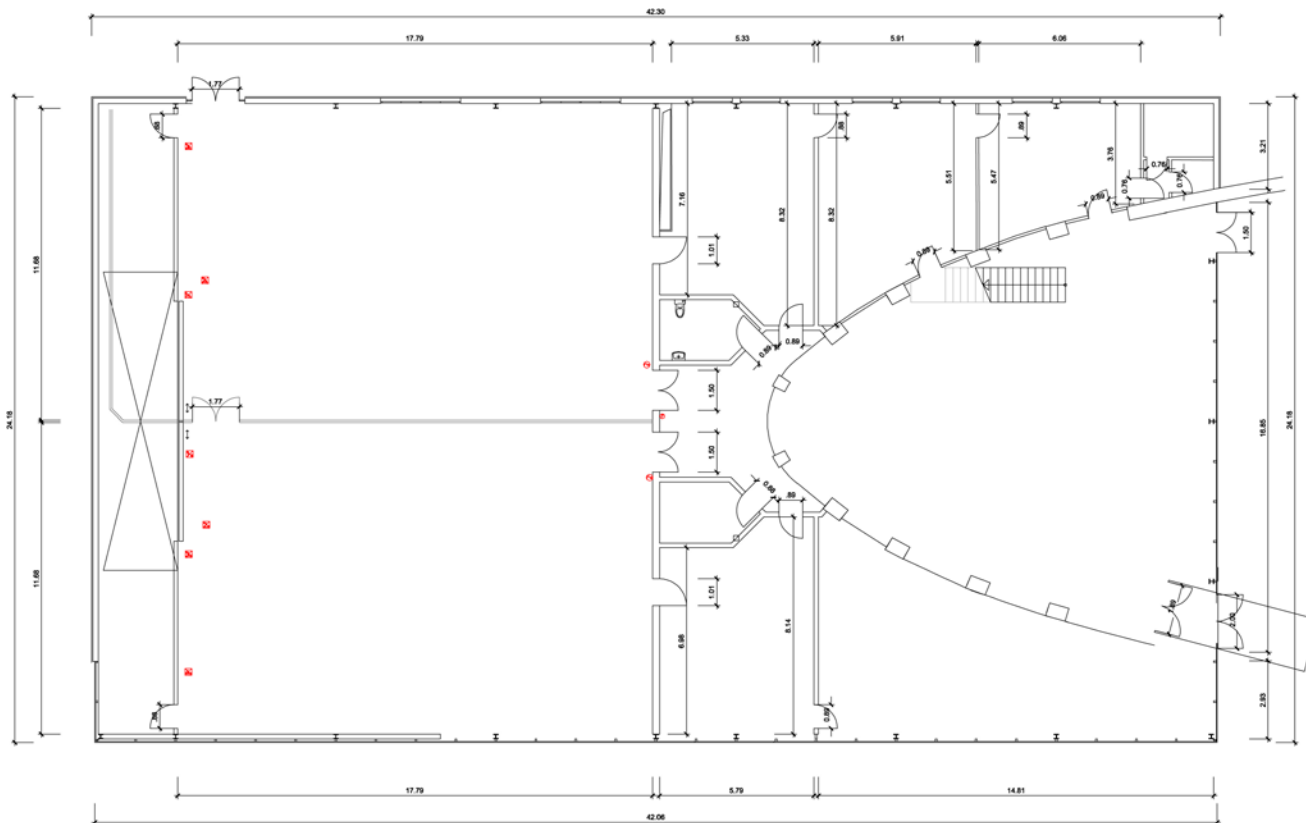
Daylight	✓
Air-conditioned	✓
To be darkened	✓
Accessible by car	-
Internet access	WLAN/LAN
Power connection	9 x 230 V
Projector	mobile
TV connection	✓
Sound system	-
Floor covering	Carpet
Location in hotel	Ground floor
Other features	Dimmable light

Saal 5



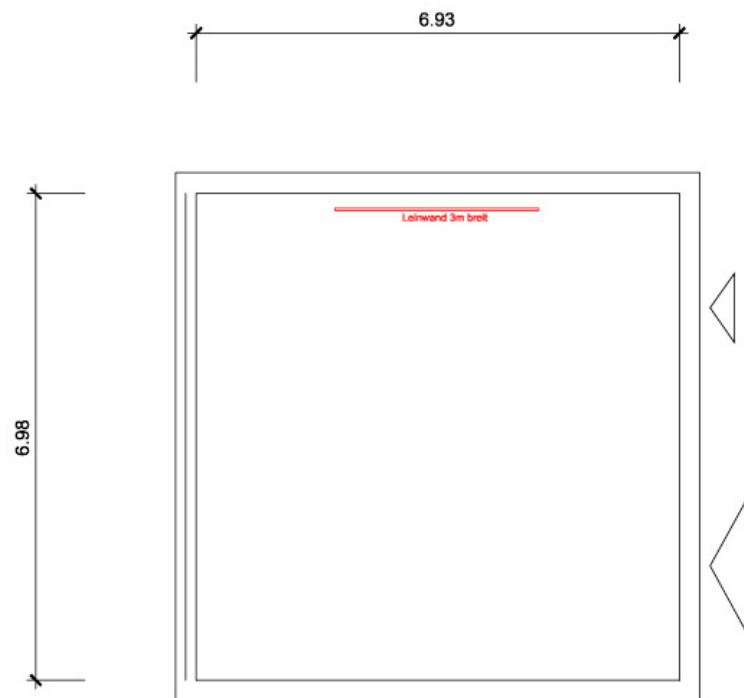
Daylight	✓
Air-conditioned	✓
To be darkened	✓
Accessible by car	-
Internet access	WLAN/LAN
Power connection	6 x 230 V / 1 x 380 V
Projector	mobile
TV connection	✓
Sound system	-
Floor covering	Carpet
Location in hotel	Ground floor
Other features	Dimmable light

Foyer Conference Center



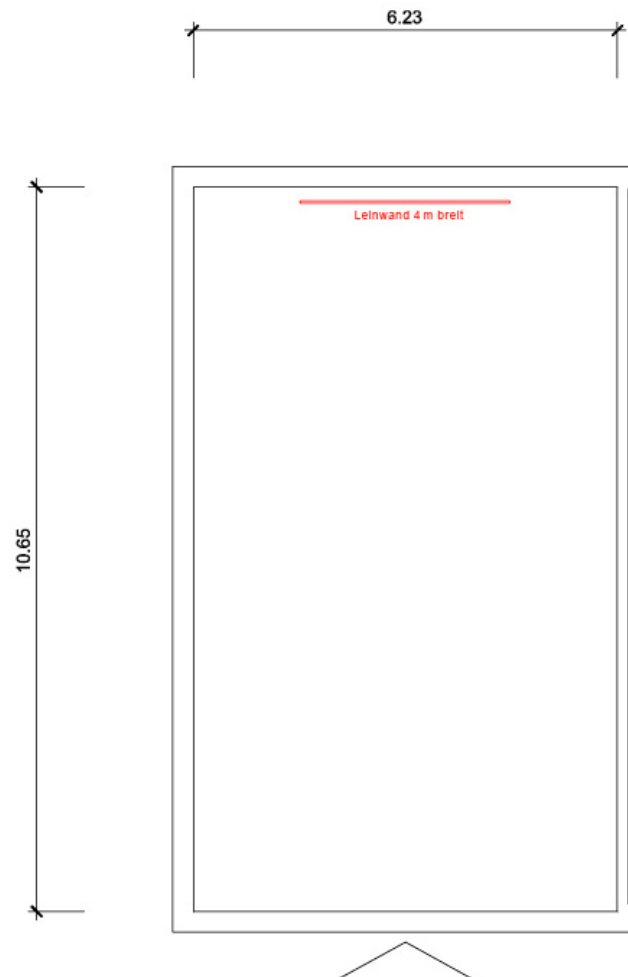
Daylight	✓
Air-conditioned	✓
To be darkened	-
Accessible by car	-
Internet access	WLAN/LAN
Power connection	14 x 230 V / 2 x 380 V
Projector	mobile
TV connection	✓
Sound system	-
Floor covering	Carpet
Location in hotel	Ground floor
Other features	Various lighting options

Albert Einstein



Daylight	✓
Air-conditioned	✓
To be darkened	✓
Accessible by car	-
Internet access	WLAN/LAN
Power connection	7 x 230 V
Projector	mobile
TV connection	✓
Sound system	-
Floor covering	Carpet
Location in hotel	Ground floor
Other features	Dimmable light

Conrad Röntgen

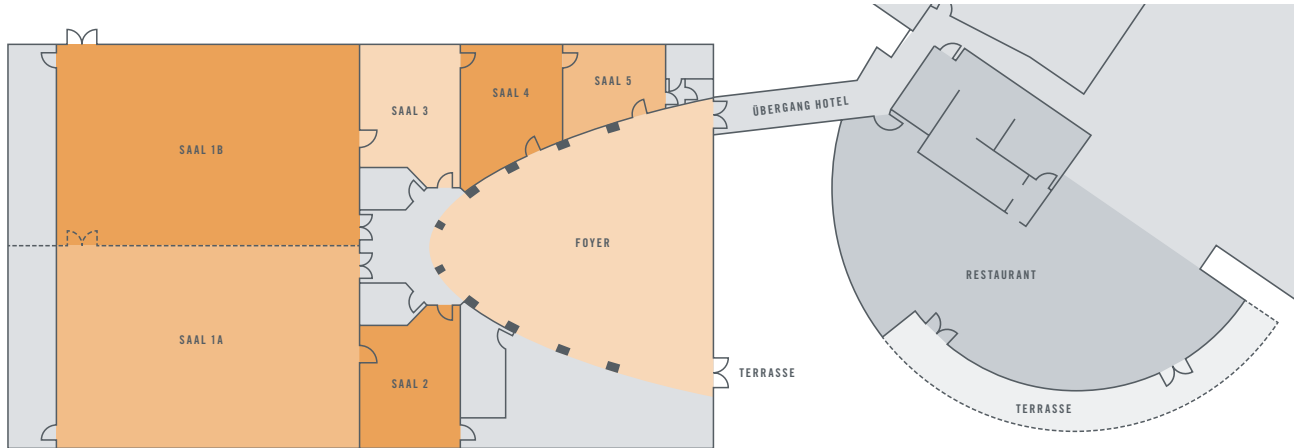


Daylight	✓
Air-conditioned	✓
To be darkened	✓
Accessible by car	-
Internet access	WLAN/LAN
Power connection	17 x 230 V / 6 x 380 V
Projector	mobile
TV connection	✓
Sound system	-
Floor covering	Carpet
Location in hotel	3rd floor
Other features	Dimmable light

ROOM COSTS

Clear and transparent

Transparency is one of the pillars of the ATLANTIC Hotels' SMART meetings & events concept. That's why we provide separate rates for our room costs.



Conference Center Bremen
Ground floor

	Room size in sqm	Set-up costs in EUR	Room costs in EUR
Saal 1	500	870.00	2.000.00
Saal 1a	250	435.00	1.100.00
Saal 1b	250	435.00	1.100.00
Saal 2	44	95.00	195.00
Saal 3	42	95.00	195.00
Saal 4	40	95.00	195.00
Saal 5	26	60.00	120.00
Foyer Conference Center	280	on request	on request
Albert Einstein	50	110.00	200.00
Conrad Röntgen	70	190.00	300.00

The preparation costs for power, cleaning and seating mentioned above are charged regardless of the accommodation and restaurant sales. Technology may be rented externally and charged separately if required. The room rental depends on the event volume and is calculated separately.

ACCOMPANYING PROGRAMMES

Unforgettable moments

Regardless of whether you are a guest at a family event or are planning an incentive for your company event – we offer a range of options to make your stay in Bremen unforgettable.

We are happy to put together a supporting programme geared to your individual requirements and look forward to your receiving your inquiry.

We have selected a few highlights for you:

An evening of flavours – stimulate all your senses



Experience the world of plants and herbs with all your senses! Herbs, spices and flavours turn a good meal into a gourmet speciality – this is your chance to learn more! Your evening of flavours starts in the botanic garden. Discover “fragrant plants for cooking, wellness and medicine” up close and personal and learn more about the small but important differences between “delicious or toxic” during a tour through Bremen’s botanic garden.

You are then welcomed to our restaurant with a delightful herb cocktail and treated to a 3-course meal full of different flavours as recommended by our chef.

Services included in the evening of flavours:

- Tour through Bremen’s botanic garden
- Herb cocktail reception at the CAMPUS restaurant
- 3-course flavour menu at the CAMPUS restaurant

€ 69.00 per person (excl. transfer and drinks with the meal)

Recommended time: 5 p.m. – 9 p.m. (approx. 4 hours)

The evening of flavours can be booked from April to October starting from 15 people on request and depending on availability.

Self-made cocktails



Do you think back to your last visit to a bar with fascination? Would you like to learn more about the variety of cocktails? We offer you a cocktail course followed by dinner in our CAMPUS restaurant as an accompanying programme and a relaxed start to the evening. Under the guidance of our trained bar staff, you will be introduced to the art of mixing cocktails and learn interesting stories from the world of cocktails.

The following services are included in our event:

- 1 aperitif cocktail before dinner
- 3-course menu according to kitchen recommendation
- 2 cocktails of your choice (also non-alcoholic)

We are happy to vary the course of cocktail instruction and preparation according to your ideas. Your guests will be personally introduced to the world of cocktails and can try out their skills in a new area. Our chef will be happy to discuss your food preferences in advance of the evening.

€ 75.00 per person (*bookable for up to 25 people*)

Visit the Universum® Bremen



Ever since humans acquired the gift of thought they have tried to understand the world. Researchers and scientists are engaged in the search for something that is almost impossible to grasp. The Universum® Bremen is a place that lets you discover the wonders of life in a playful and enjoyable way.

In the conference break:

Impulses for new thoughts – use the opportunity and take a break for up to 1.5 hours during your conference! Discover the Universum® Bremen and experience interesting facts on the subjects Earth, Person and Universe. You can continue your event with fresh swing.

Special condition for the attendees of a conference: € 5.00 per person

As an event in the evening:

Alternatively to a dinner in our hotel you can think of an evening event in the neighbouring Universum® Bremen. Contact us! We would be happy to cater your evening event within an exclusive booking of the Universum® Bremen.

PREFERRED PARTNERS

We make everything possible...

... but sometimes we need a bit of support. We work together with experts in technology, flower arrangements, music and entertainment who are aware of our high standards and who have gained our trust through years of cooperation. We are happy to provide our recommendations:

External technology

active blue
Bauerland 19
28259 Bremen
Tel. +49 421 166 969 00
Fax +49 421 166 969 09
info@active-blue.com



Rental items

Party Rent Bremen
Bernard & Roes GmbH
Auf der Muggenburg 7-9
28217 Bremen
Tel. +49 421 4348368-0
bremen@partyrent.com



Florist

floraldesign GmbH & Co KG
Schwachhauser Heerstr. 208 a
28219 Bremen
Tel. +49 421 3306466
info@floraldesign-bremen.de



Confectioner

Cafe Hauptmeier
Im BEST WESTERN Hotel zur Post
Bahnhofplatz 11
28195 Bremen
Tel. +49 421 3059801
info@zurpost.bestwestern.de



Teambuilding

Teamgeist Nord GmbH
Warnstedtstr. 28-32
22525 Hamburg
Tel. +49 40 4689924 11
Fax +49 40 4689924 10
k.pruss@teamgeist.com



Photographer

Fotografie Antje Schimanke
Bismarckstraße 51
27570 Bremerhaven
Tel. +49 471 3095247
info@schimanke-fotografie.de

FOTOGRAFIE
Antje Schimanke

Oliver Pracht Photo
Liebigstraße 29
49074 Osnabrück
Tel. +49 541 99896656
oliver@oliverpracht.com

Photo box & Candy bar rental

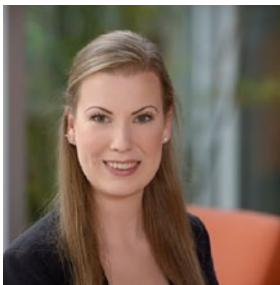
Schnappschuss-Bremen
Die mobile Fotobox
Carl-Goerdeler-Straße 73
28327 Bremen
Tel. +49 176 24921255
info@schnappschuss-bremen.de



CONTACTS

Our Event Sales department is always happy to help and to provide expert and professional advice on all topics relating to your event.

Arrange a personal meeting to get to know our hotel. We look forward to hearing from you via e-mail to veranstaltung.ahu@atlantic-hotels.de or telephone +49 421 2467-553!



Leonie Wiegand
Event Sales Manager
Tel. +49 421 2467-553
lwiegand@atlantic-hotels.de



Ann-Katrin Lütjens
Event Sales Assistant
Tel. +49 421 2467-551
aluetjens@atlantic-hotels.de